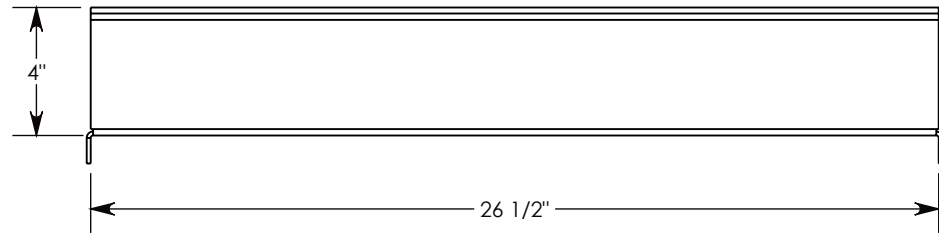
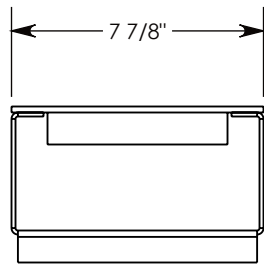
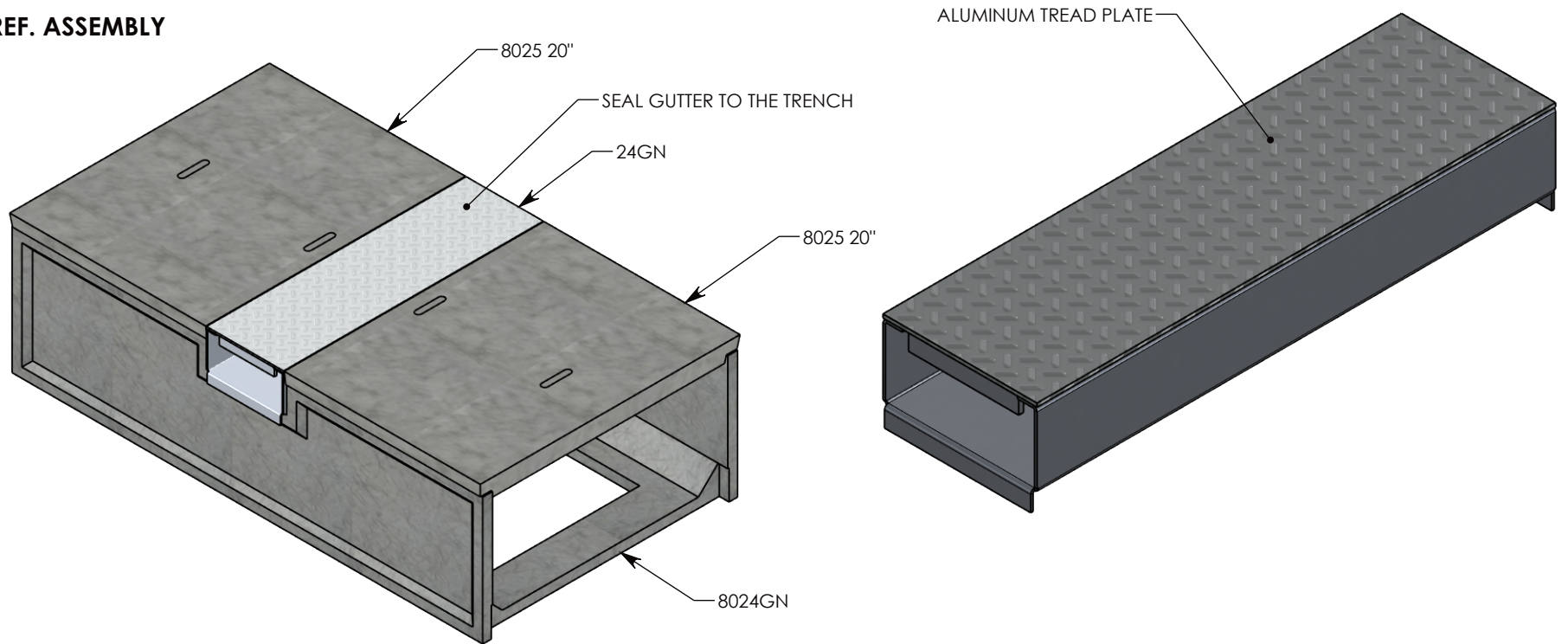


REV. A - RAL - 6/14/2018 - UPDATED GUTTER NOTCH DESIGN AND CHANGED COVERS
 REV. B - JCG - 8/4/2023 - INCREASED WIDTH FROM 26" TO 26.5"

REF. ASSEMBLY



NOTE 1: FITS A 8024GN OR A 802416GN CHANNEL.
NOTE 2: SEAL THE GAP BETWEEN NOTCH & CHANNEL IN THE FIELD.

PEDESTRIAN RATED - 200 LB. PER SQ. FOOT

DRAWN BY: JESSE GUTTING	
CREATED DATE: 9/9/2011	REVISION LEVEL: B
SAVED DATE: 8/4/2023	SAVED BY: jgutting
WEIGHT: 10 LBS.	MATERIAL: WELDED ALUMINUM



1010 NORTH STAR DRIVE
 P.O. BOX 69
 ZUMBROTA, MN 55992-0069

DESCRIPTION: GUTTER NOTCH		
DIMENSIONS ARE IN INCHES TOLERANCES: FRACTIONAL: ± 1/8" ANGULAR: ± 2°	CONTACT INFORMATION: EMAIL: INFO@CONCASTINC.COM PHONE: (507) 732-4095 FAX: (507) 732-4094	SHEET 1 OF 2
PART NUMBER: 24GN		