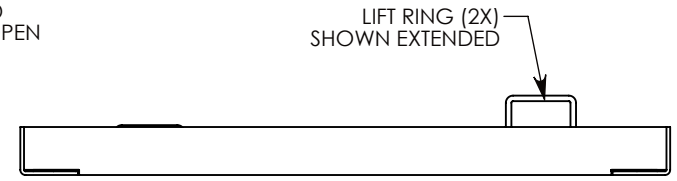
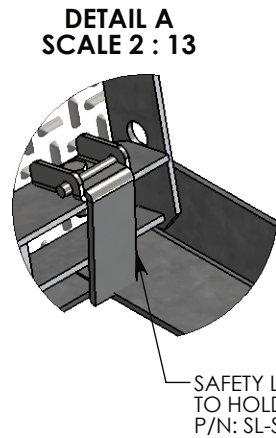
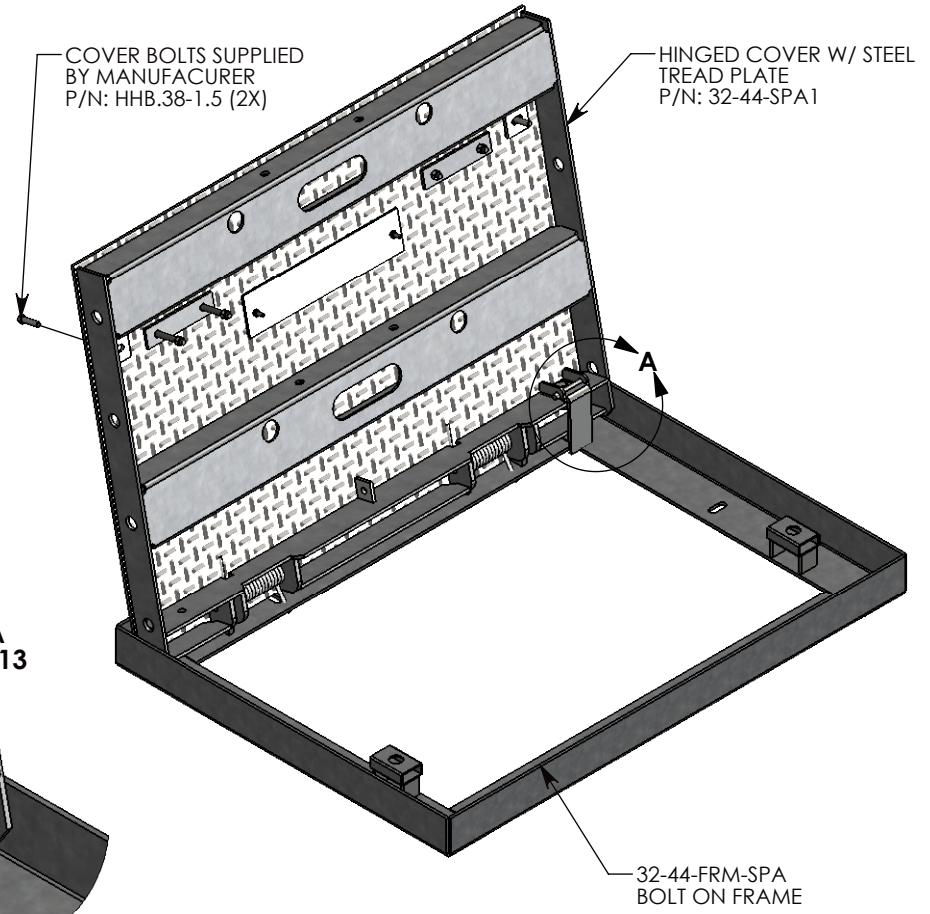
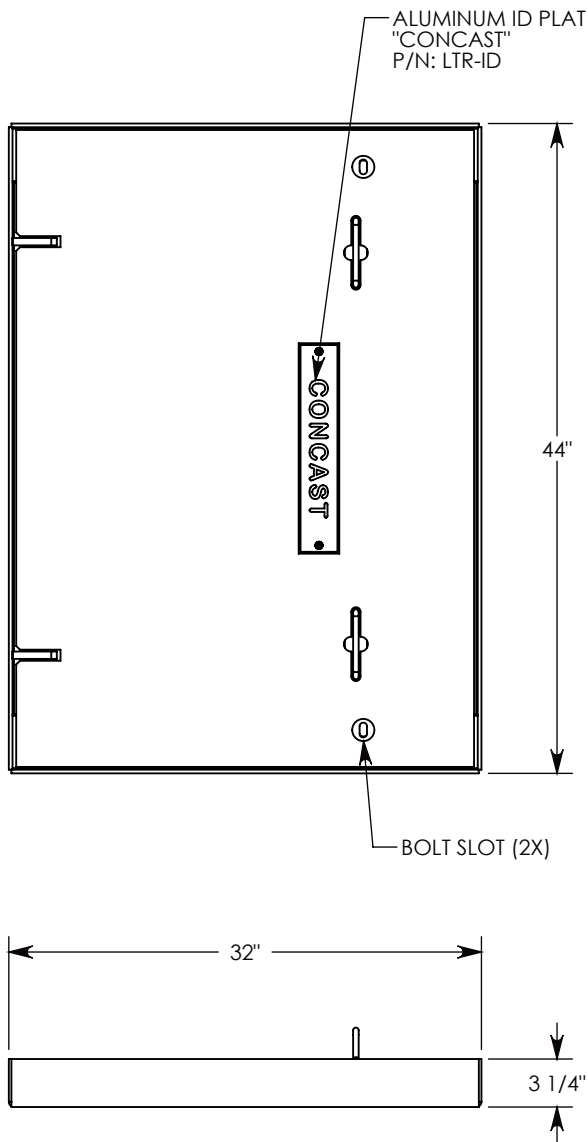


REV A: RAL - 09/05/17- UDPATED COVER TO TORSION SPRINGS AND UPDATED FRAME
 REV B: JCG - 11/15/19 - ADDED SAFETY LATCH



AASHTO H-20 RATED – 32,000 LB. SINGLE AXLE LOAD

DRAWN BY: ROSS LAGER	
CREATED DATE: 1/21/2020	REVISION LEVEL: B
SAVED DATE: 1/24/2020	SAVED BY: jgutting
WEIGHT: 246 LBS.	MATERIAL: GALV. WELDED STEEL



CONCAST
 1010 NORTH STAR DRIVE
 P.O. BOX 69
 ZUMBROTA, MN 55992-0069

DESCRIPTION: SG SPRING-ASSISTED COVER W/BOLT-DOWN		SHEET 1 OF 1
DIMENSIONS ARE IN INCHES TOLERANCES: FRACTIONAL: ± 1/8" ANGULAR: ± 2°	CONTACT INFORMATION: EMAIL: INFO@CONCASTINC.COM PHONE: (507) 732-4095 FAX: (507) 732-4094	
PART NUMBER: 32-44-SPA		