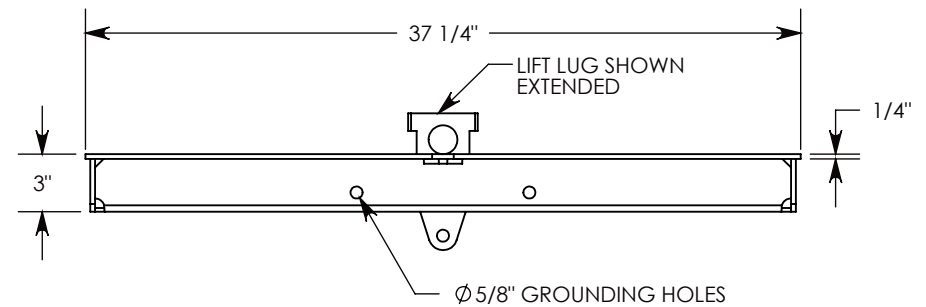
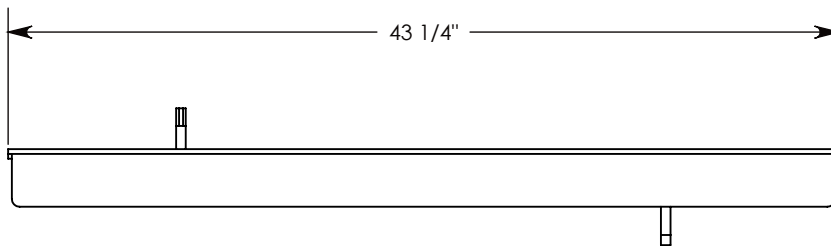
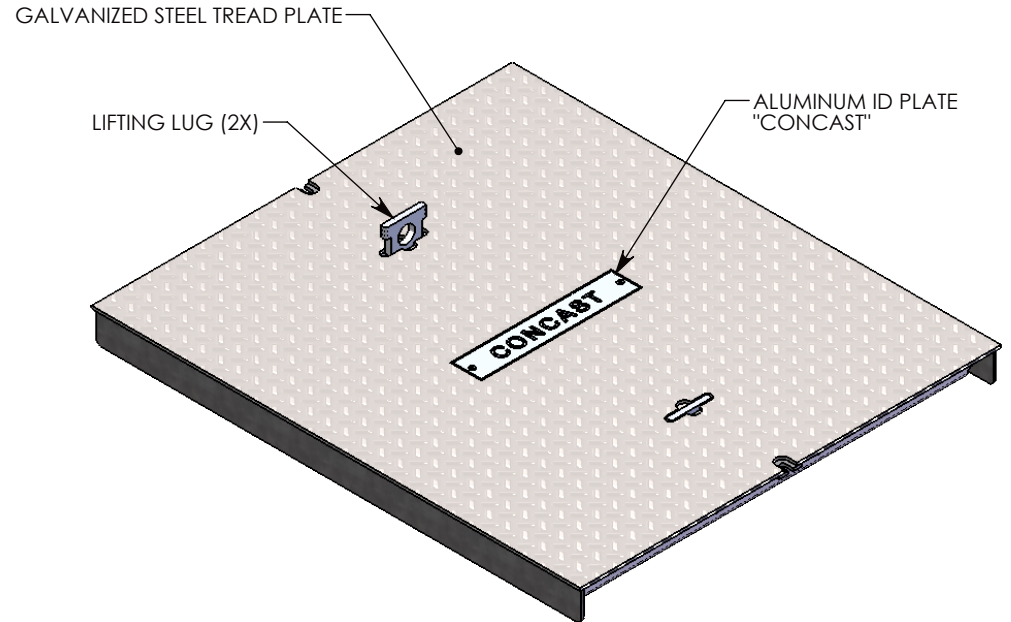
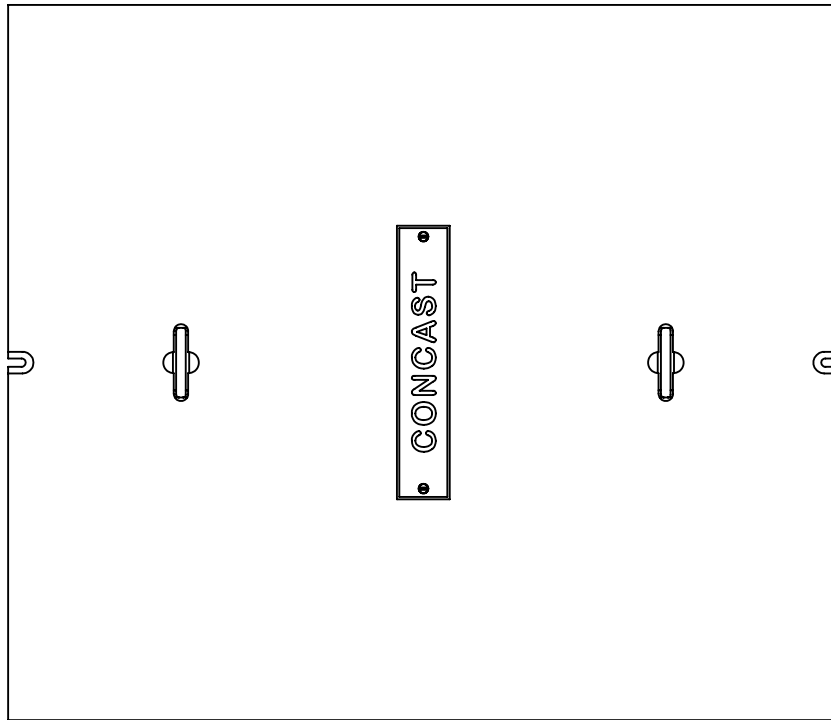


COVER ASSEMBLES ONTO  
A 38" X 44" OD  
CONCAST PULL BOX



H-20 RATED - 32,000 LB. PER AXLE LOAD.

**DRAWN BY: ROBIN FLINT**

**DATE: 10/13/2016**

**REVISION LEVEL: A**

**WEIGHT:**

**216 LBS.**

**MATERIAL:**

**GALVANIZED STEEL**



**DESCRIPTION:**

**GALVANIZED STEEL PULL BOX COVER**

DIMENSIONS ARE IN INCHES  
TOLERANCES:  
FRACTIONAL: ± 1/8"  
ANGULAR: ± 2°

CONTACT INFORMATION:  
EMAIL: INFO@CONCASTINC.COM  
PHONE: (507) 732-4095  
FAX: (507) 732-4094

SHEET 1 OF 1

**PART NUMBER:**

**38-44-RSGBD**