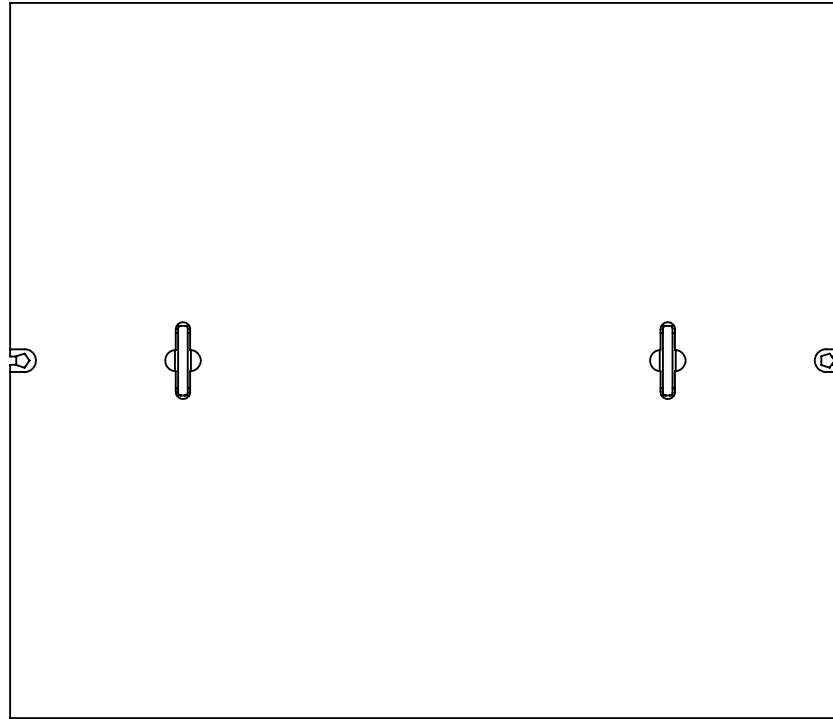
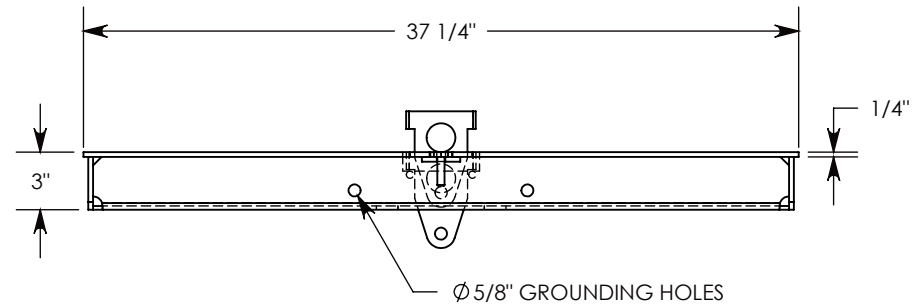
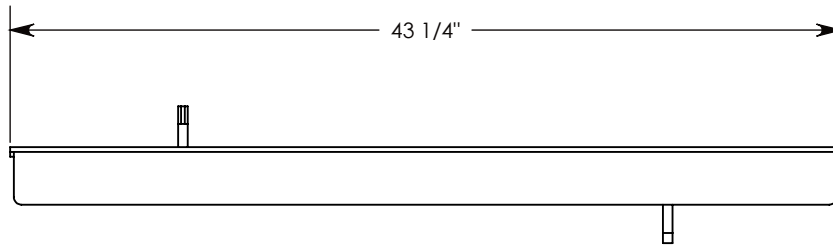
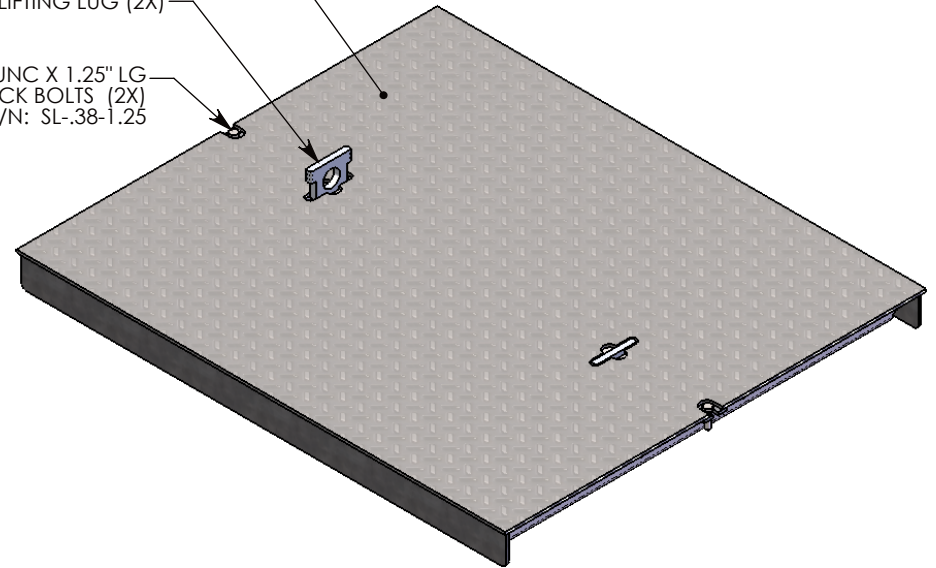


COVER ASSEMBLES ONTO A 38" X 44" OD
CONCAST RSG BOLT-DOWN PULL BOX



GALVANIZED STEEL TREAD PLATE
LIFTING LUG (2X)
3/8-16 UNC X 1.25" LG
SURELOCK BOLTS (2X)
CONCAST P/N: SL-38-1.25



H20 RATED - 32,000 LB. PER AXLE LOAD.

DRAWN BY: ROBIN FLINT

DATE: 5/15/2013

REVISION LEVEL: 0

WEIGHT:

215 LBS.

MATERIAL:

GALVANIZED STEEL

CONCAST
1010 NORTH STAR DRIVE
P.O. BOX 69
ZUMBROTA, MN 55992-0069

DESCRIPTION:

GALVANIZED STEEL PULL BOX COVER

DIMENSIONS ARE IN INCHES
TOLERANCES:
FRACTIONAL: ± 1/8"
ANGULAR: ± 2°

CONTACT INFORMATION:
EMAIL: INFO@CONCASTINC.COM
PHONE: (507) 732-4095
FAX: (507) 732-4094

SHEET 1 OF 1

PART NUMBER:

38-44-RSGBDSL