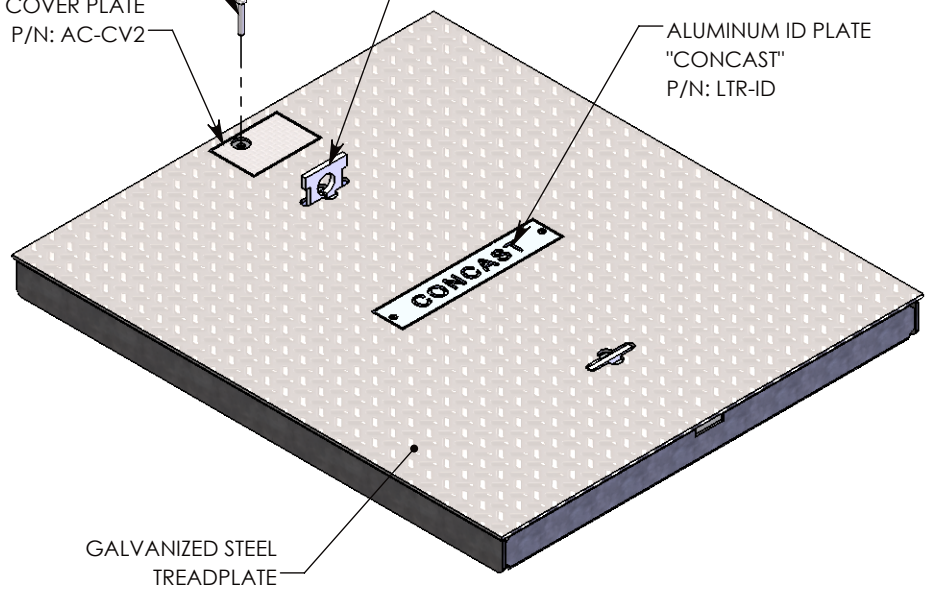


3/8"-16 UNC X 2-1/2" LG SURELOCK SS BOLT
P/N: SL.38-2.5

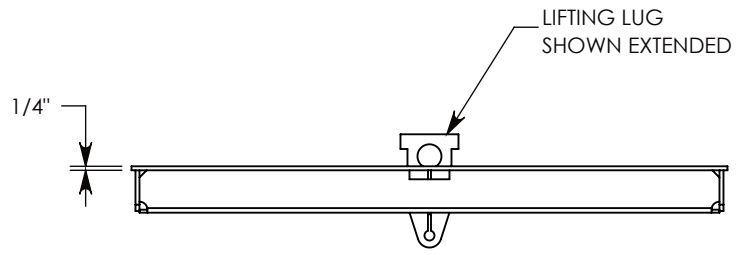
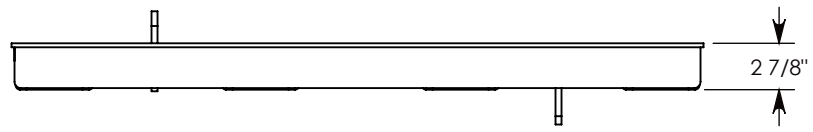
ACCESS COVER PLATE
P/N: AC-CV2

LIFTING LUG (2X)

ALUMINUM ID PLATE
"CONCAST"
P/N: LTR-ID



GALVANIZED STEEL
TREADPLATE



DRAWN BY: JESSE GUTTING

DATE: 10/19/2018

REVISION LEVEL: 0

WEIGHT:

214 LBS.

MATERIAL:

GALVANIZED STEEL



1010 NORTH STAR DRIVE
P.O. BOX 69
ZUMBROTA, MN 55992-0069

DESCRIPTION:

GALVANIZED STEEL PULL BOX COVER

DIMENSIONS ARE IN INCHES
TOLERANCES:
FRACTIONAL: ± 1/8"
ANGULAR: ± 2°

CONTACT INFORMATION:
EMAIL: INFO@CONCASTINC.COM
PHONE: (507) 732-4095
FAX: (507) 732-4094

SHEET 1 OF 2

PART NUMBER:

38-44-RSGSLP