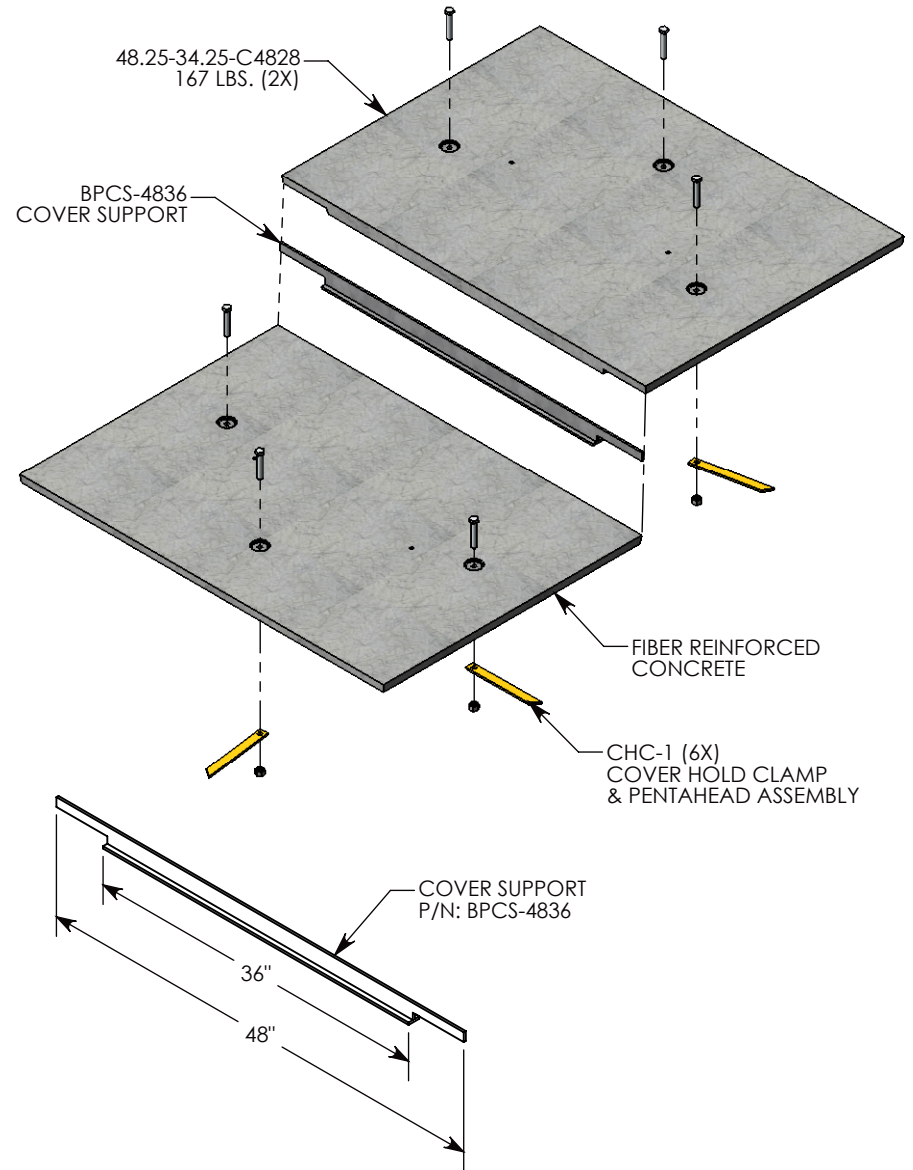
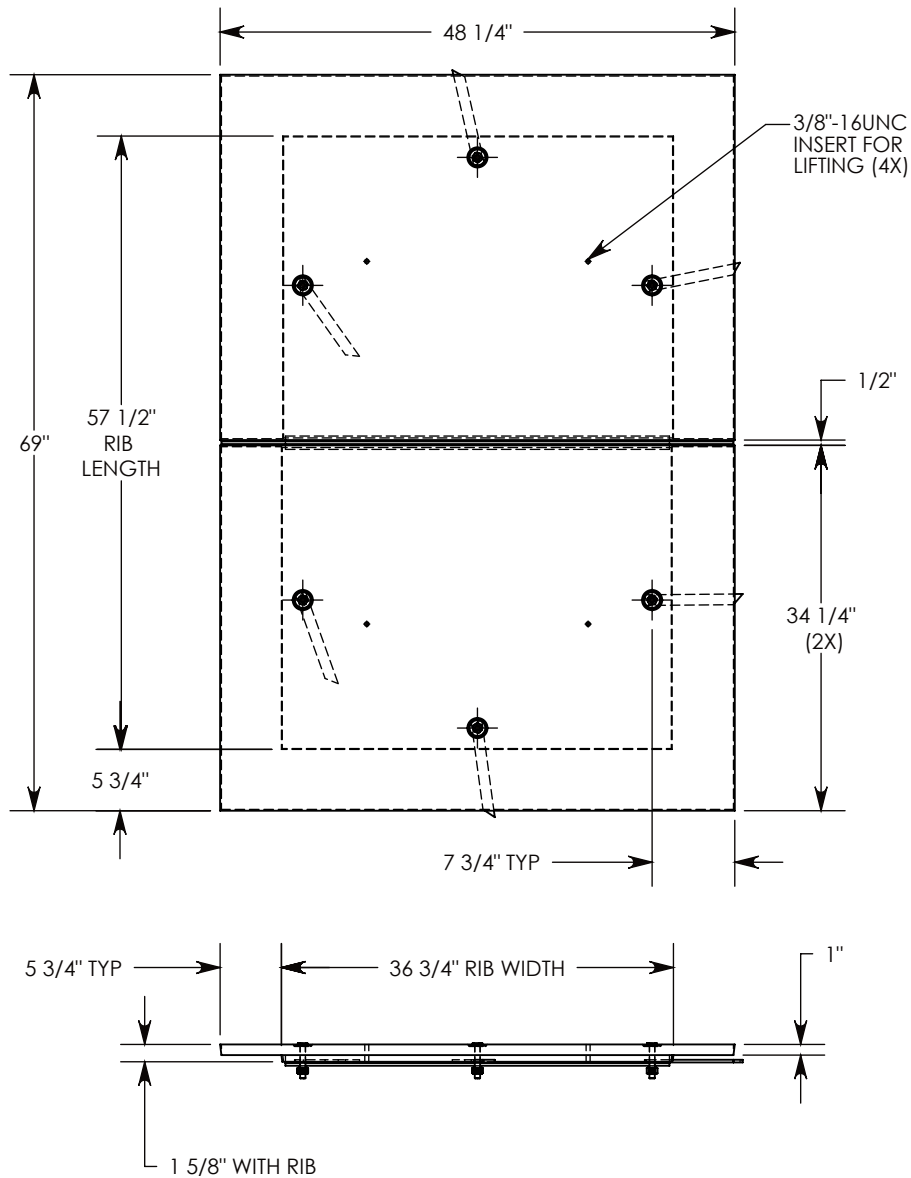


REV. A - JCG - 1/14/2020 - UPDATED NAME OF SINGLE COVER  
 REV. B - JCG - 2/10/2020 - UPDATED COVER DIMENSIONS, INSERT QTY AND SINGLE COVER NAME



DRAWN BY: <b>ROBIN FLINT</b>	
CREATED DATE: <b>12/10/2002</b>	REVISION LEVEL: <b>B</b>
SAVED DATE: <b>2/11/2021</b>	SAVED BY: <b>jgutting</b>
WEIGHT: <b>348 LBS.</b>	MATERIAL: <b>FIBERCRETE</b>

**CONCAST**  
 1010 NORTH STAR DRIVE  
 P.O. BOX 69  
 ZUMBROTA, MN 55992-0069

DESCRIPTION: <b>FIBERCRETE BOX PAD COVERS</b>		SHEET 1 OF 1
DIMENSIONS ARE IN INCHES TOLERANCES: FRACTIONAL: ± 1/8" ANGULAR: ± 2°	CONTACT INFORMATION: EMAIL: <a href="mailto:INFO@CONCASTINC.COM">INFO@CONCASTINC.COM</a> PHONE: (507) 732-4095 FAX: (507) 732-4094	
PART NUMBER: <b>49-69-C3757</b>		