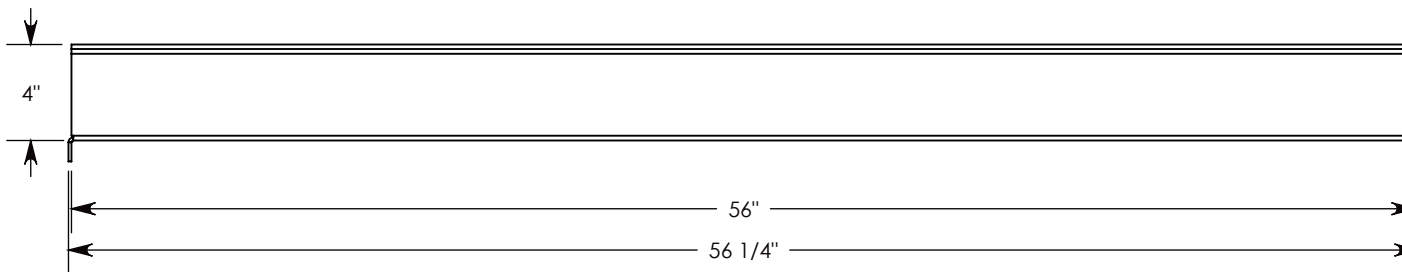
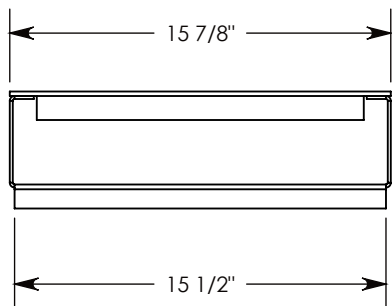
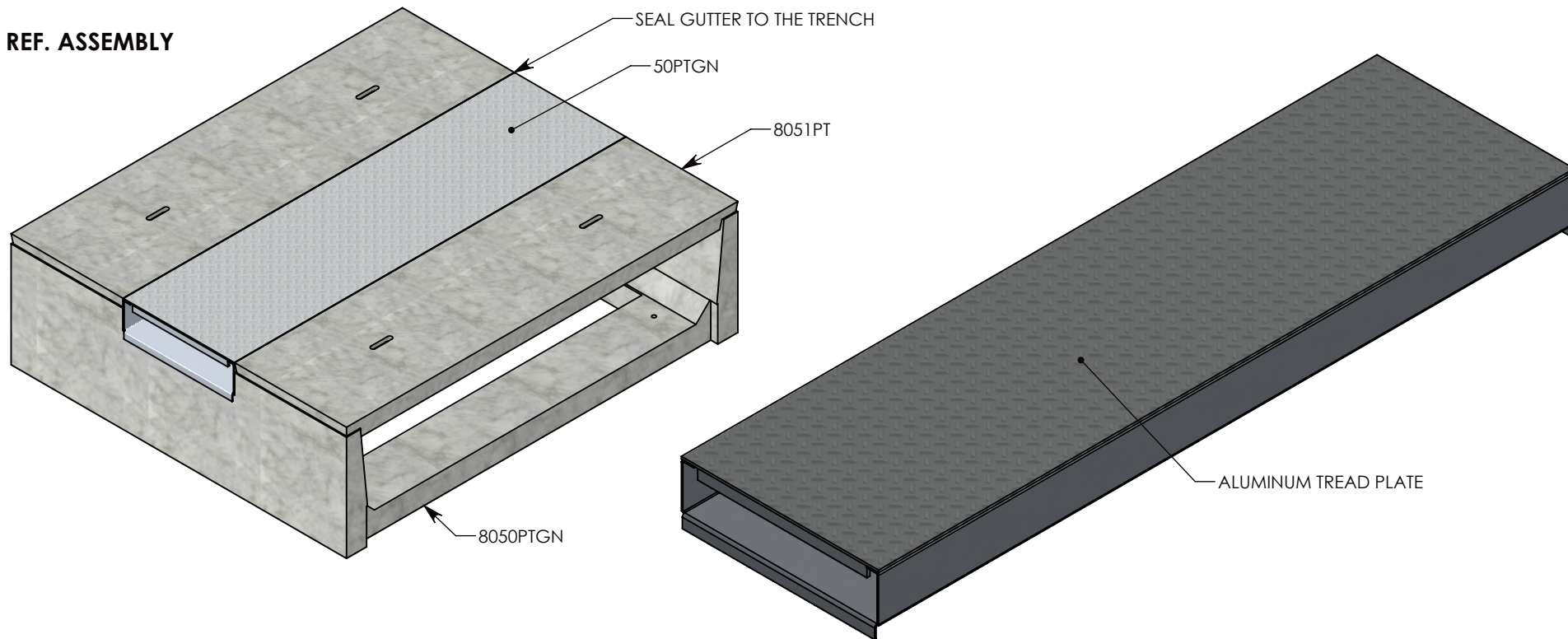


REV A: TCJ - 11/5/2018 - UPDATED ALUMINUM COVER LIP TO NEW GUTTER DESIGN  
 REV B: TCJ - 1/16/2019 - MADE GUTTER WIDE ENOUGH FOR STANDARD 8051PT COVERS

**REF. ASSEMBLY**



**NOTE 1:** FITS AN 8050PTGN, 805016PTGN, OR AN 805024PTGN CHANNEL.

**NOTE 2:** SEAL THE GAP BETWEEN NOTCH & CHANNEL IN THE FIELD.

PEDESTRIAN RATED - 200 LB. PER SQ. FOOT

**DRAWN BY: ROBIN FLINT**

**DATE: 1/17/2019**

**REVISION LEVEL: B**

**WEIGHT:**

**36 LBS.**

**MATERIAL:**

**WELDED ALUMINUM**



1010 NORTH STAR DRIVE  
 P.O. BOX 69  
 ZUMBROTA, MN 55992-0069

**DESCRIPTION:**

**GUTTER NOTCH**

DIMENSIONS ARE IN INCHES  
 TOLERANCES:  
 FRACTIONAL: ± 1/8"  
 ANGULAR: ± 2°

CONTACT INFORMATION:  
 EMAIL: INFO@CONCASTINC.COM  
 PHONE: (507) 732-4095  
 FAX: (507) 732-4094

SHEET 1 OF 1

**PART NUMBER:**

**50PTGN**