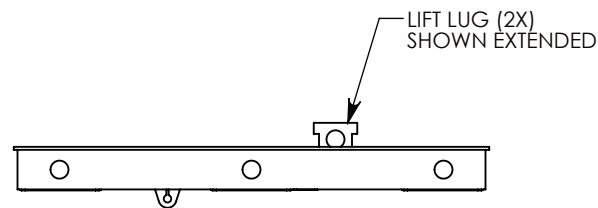
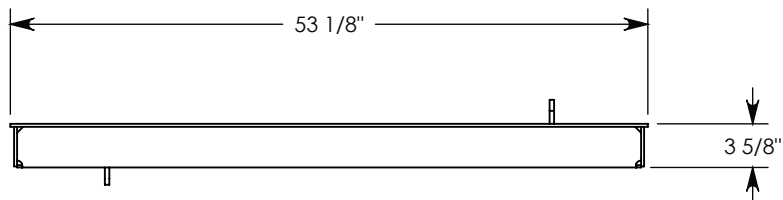
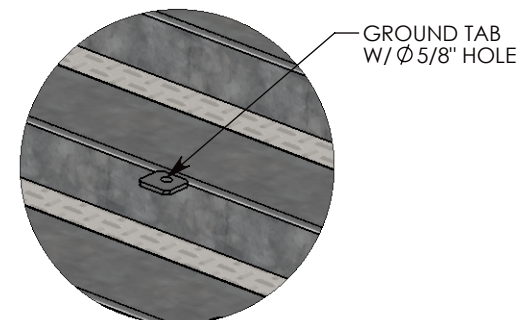
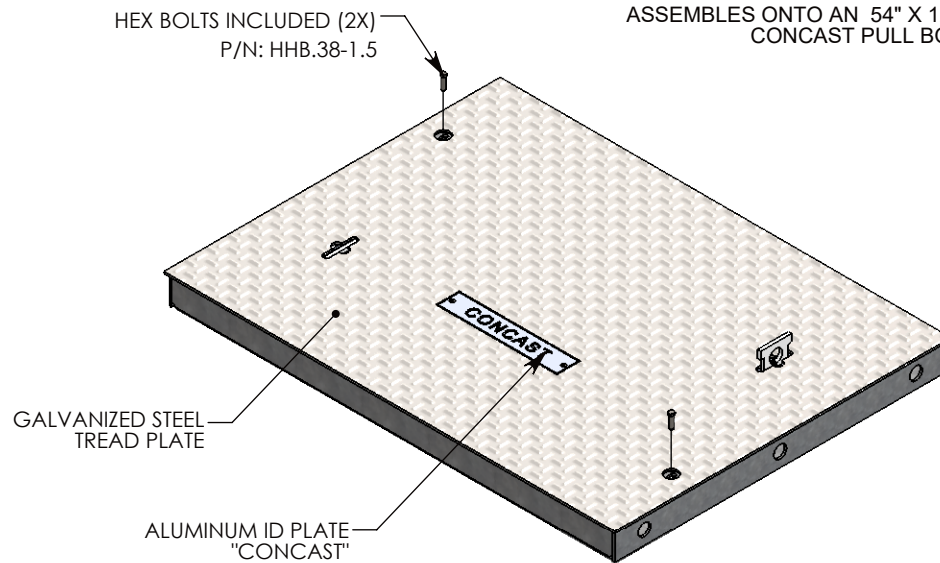
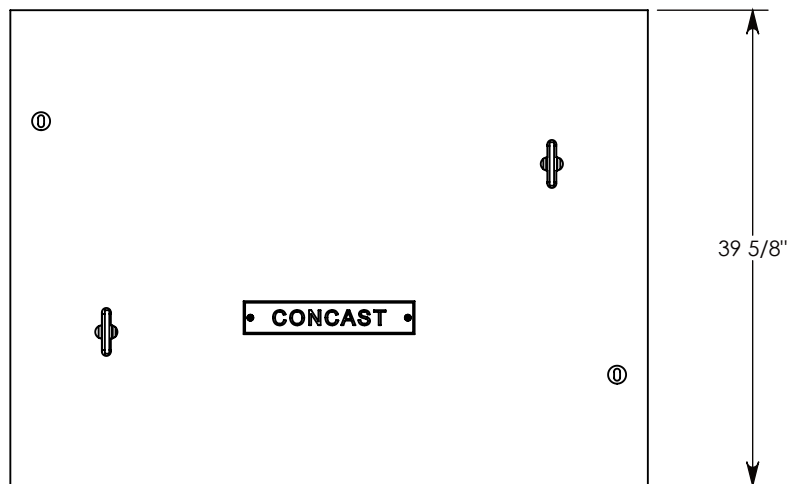


REV. B - JCG - 6/6/18 - ADDED BD HOLES
 REV. C - JCG - 7/29/2020 - UPDATED TO NEW METAL PART FILES

ASSEMBLES ONTO AN 54" X 120"
 CONCAST PULL BOX.



AASHTO H-20 RATED - 32,000 LB. SINGLE AXLE LOAD

DRAWN BY: **JESSE GUTTING**

CREATED DATE: **11/13/2012** REVISION LEVEL: **C**

SAVED DATE: **7/29/2020** SAVED BY: **jgutting**

WEIGHT: **290 LBS.** MATERIAL: **WELDED GALV. STEEL**

CONCAST
 1010 NORTH STAR DRIVE
 P.O. BOX 69
 ZUMBROTA, MN 55992-0069

DESCRIPTION:
GALVANIZED STEEL PULL BOX COVER

DIMENSIONS ARE IN INCHES
 TOLERANCES:
 FRACTIONAL: ± 1/8"
 ANGULAR: ± 2°

CONTACT INFORMATION:
 EMAIL: INFO@CONCASTINC.COM
 PHONE: (507) 732-4095
 FAX: (507) 732-4094

SHEET 1 OF 2

PART NUMBER:
54-40-RSG