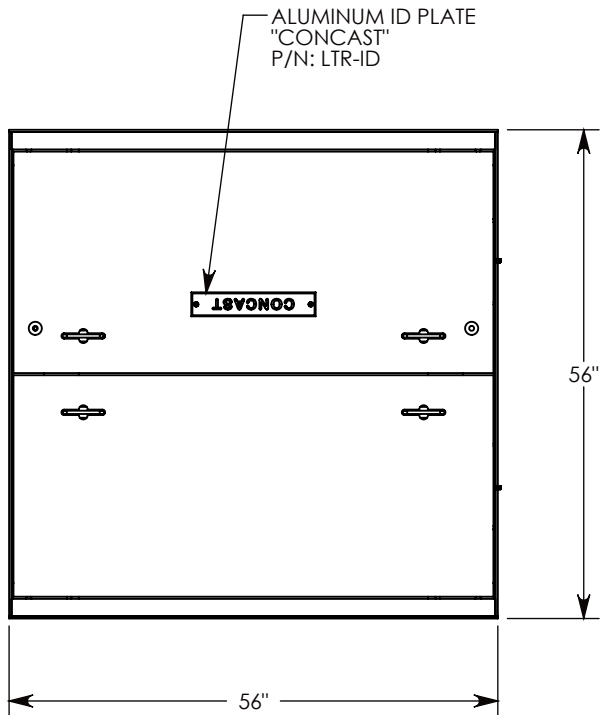
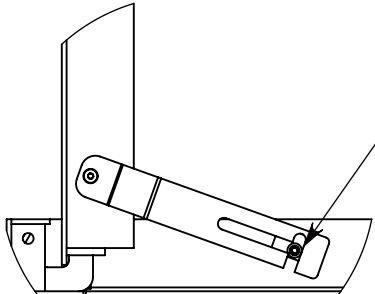
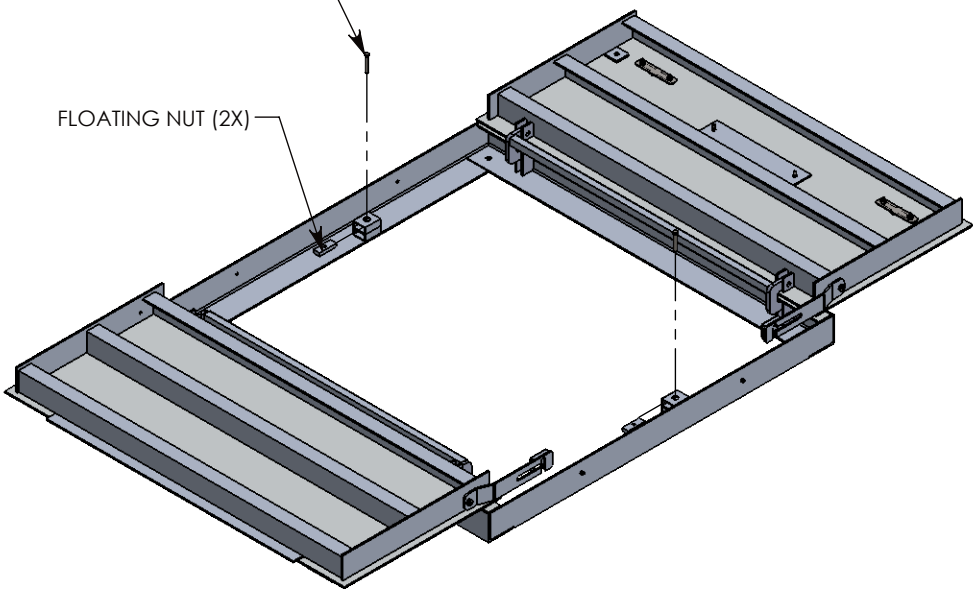


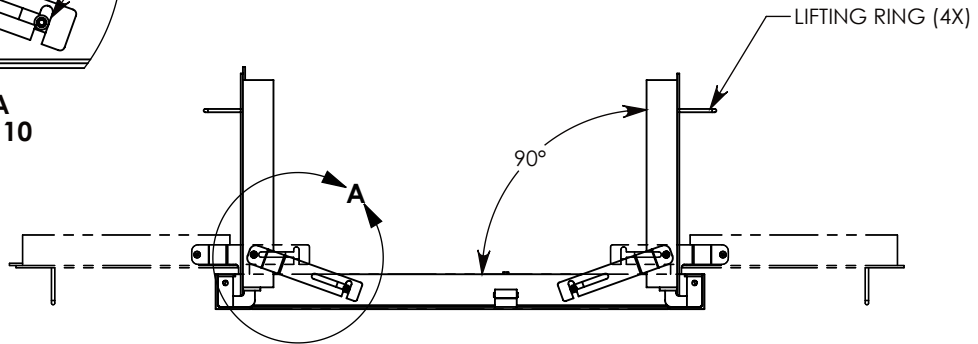
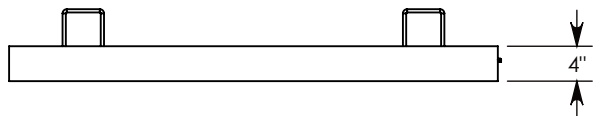
COVER ASSEMBLES ONTO A 56" X 56"
CONCAST PULL BOX



3/8-16 UNC X 2.5" LG HEX HD BOLT (2X)
P/N: HHB.38-2.5



DETAIL A
SCALE 1 : 10



SHOWN OPEN WITH FRAME WALL HIDDEN

DRAWN BY: JESSE GUTTING	
DATE: 9/19/2018	REVISION LEVEL: 0
WEIGHT: 181.05 LBS.	MATERIAL: WELDED ALUMINUM

CONCAST
1010 NORTH STAR DRIVE
P.O. BOX 69
ZUMBROTA, MN 55992-0069

DESCRIPTION: ALUMINUM PULL BOX COVER		SHEET 1 OF 1
DIMENSIONS ARE IN INCHES TOLERANCES: FRACTIONAL: ± 1/8" ANGULAR: ± 2°	CONTACT INFORMATION: EMAIL: INFO@CONCASTINC.COM PHONE: (507) 732-4095 FAX: (507) 732-4094	
PART NUMBER: 56-56-HA-LF		