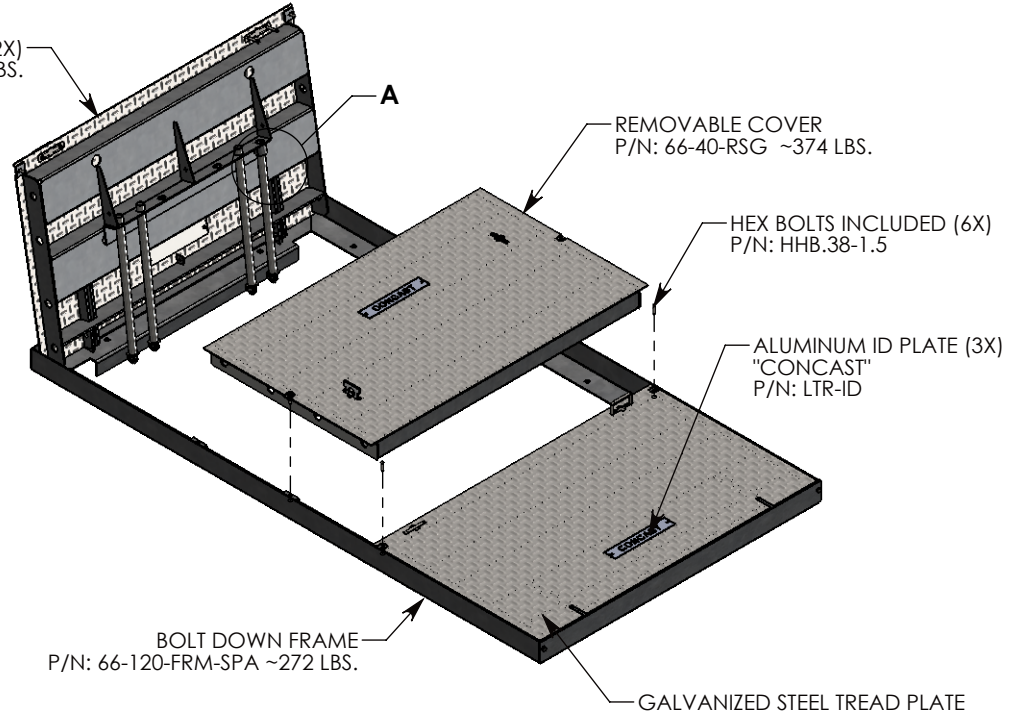


SPRING ASSISTED HINGED COVER (2X)  
P/N: 66-40-SPA-1 ~382 LBS.



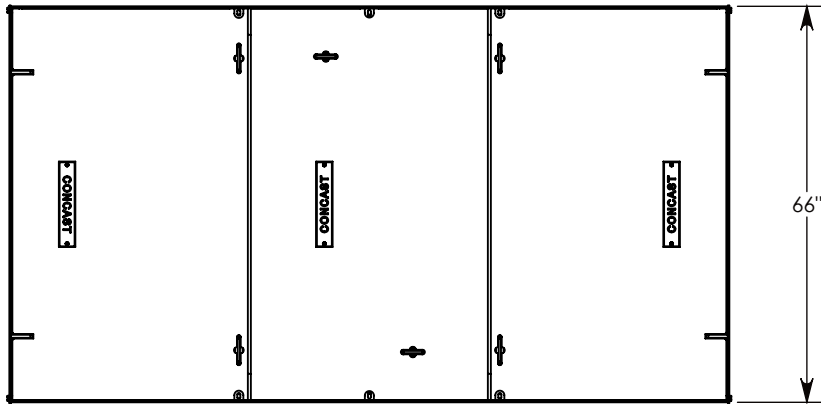
REMOVABLE COVER  
P/N: 66-40-RSG ~374 LBS.

HEX BOLTS INCLUDED (6X)  
P/N: HHB.38-1.5

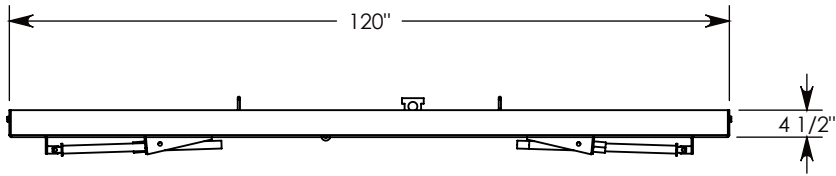
ALUMINUM ID PLATE (3X)  
"CONCAST"  
P/N: LTR-ID

BOLT DOWN FRAME  
P/N: 66-120-FRM-SPA ~272 LBS.

GALVANIZED STEEL TREAD PLATE

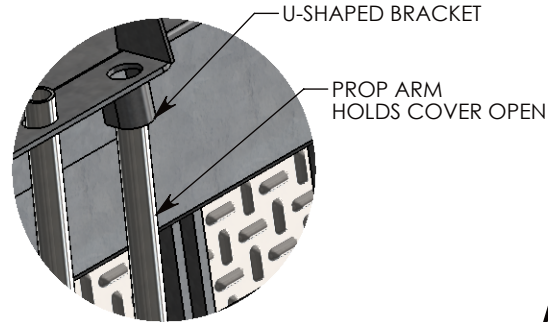


66"

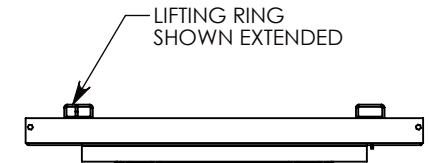


120"

4 1/2"



DETAIL A  
SCALE 1 : 8



LIFTING RING  
SHOWN EXTENDED

NOTE 1: FOR ADDED SECURITY, PENTA HEAD (P/N: PTA.38-1.5) OR SURELOCK BOLTS (P/N: SL.38-1.25) CAN BE ADDED

AASHTO H-20 RATED – 32,000 LB. SINGLE AXLE LOAD

DRAWN BY: **JESSE GUTTING**

CREATED DATE: **4/4/2019** REVISION LEVEL: **A**

SAVED DATE: **9/17/2020** SAVED BY: **jgutting**

WEIGHT: **1434 LBS.** MATERIAL: **GALVANIZED STEEL**

**CONCAST**  
1010 NORTH STAR DRIVE  
P.O. BOX 69  
ZUMBROTA, MN 55992-0069

DESCRIPTION:

**SG SPRING-ASSISTED COVER**

DIMENSIONS ARE IN INCHES  
TOLERANCES:  
FRACTIONAL: ± 1/8"  
ANGULAR: ± 2°

CONTACT INFORMATION:  
EMAIL: [INFO@CONCASTINC.COM](mailto:INFO@CONCASTINC.COM)  
PHONE: (507) 732-4095  
FAX: (507) 732-4094

SHEET 1 OF 2

PART NUMBER:

**66-120-SPA**