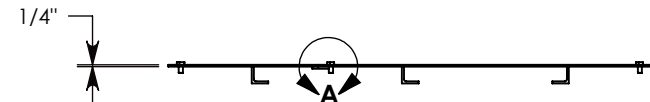
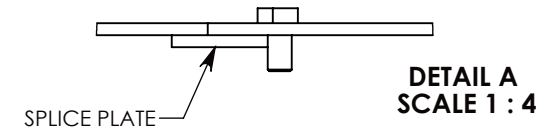
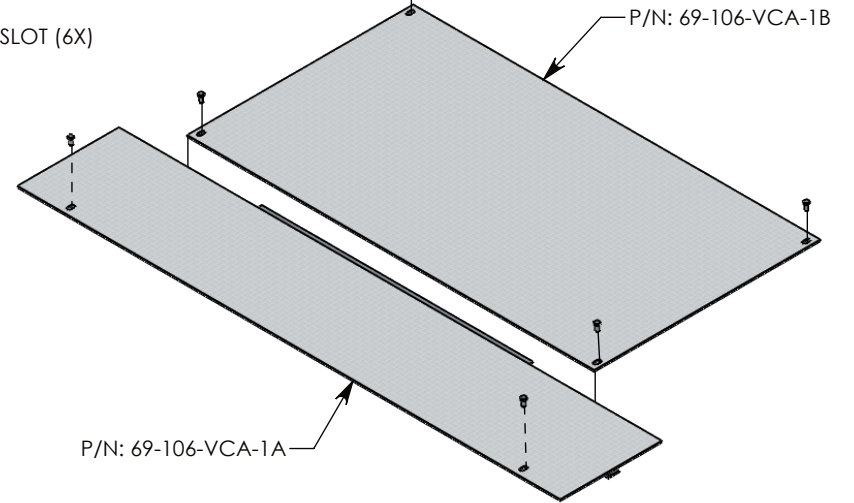
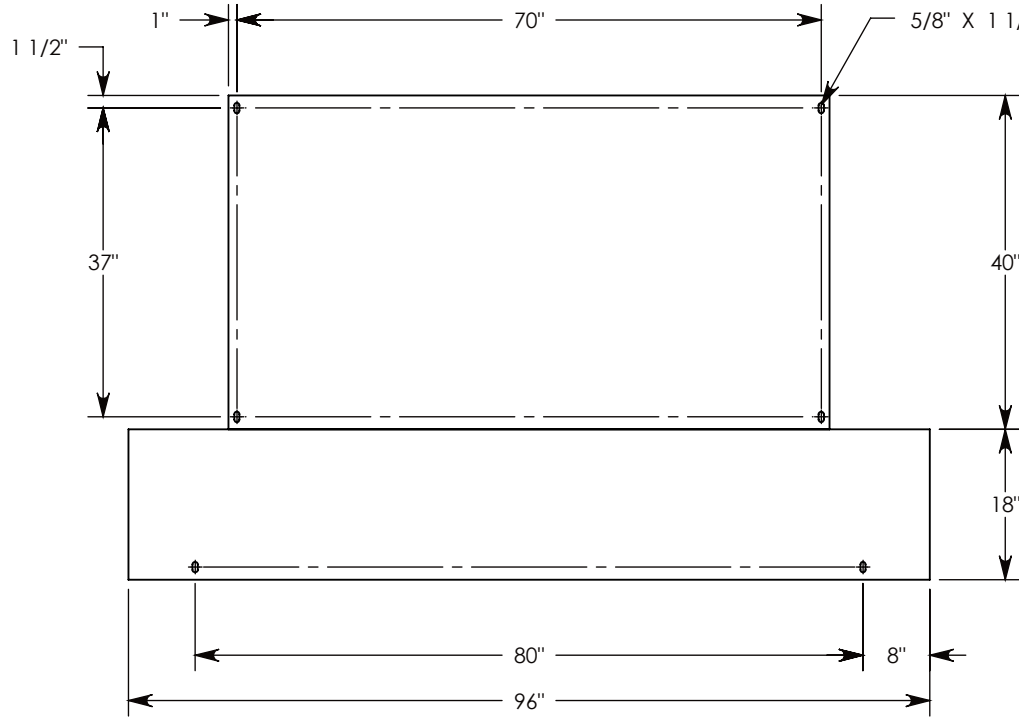


REV A - JCG - 7/26/2018 - UPDATED COVER NAMES
 REV B - SIC - 1/28/2021 - UPDATED TITLEBLOCK, DIMENSIONS AND ANNOTATIONS

COVERS DESIGNED TO
 FIT ONTO CONCAST
 VISTA BOX PAD
 P/N: FC-69-106-36-V

1/2-13 UNC X 1" LG PENTA HD BOLT (6X)
 P/N: PTA.5-1

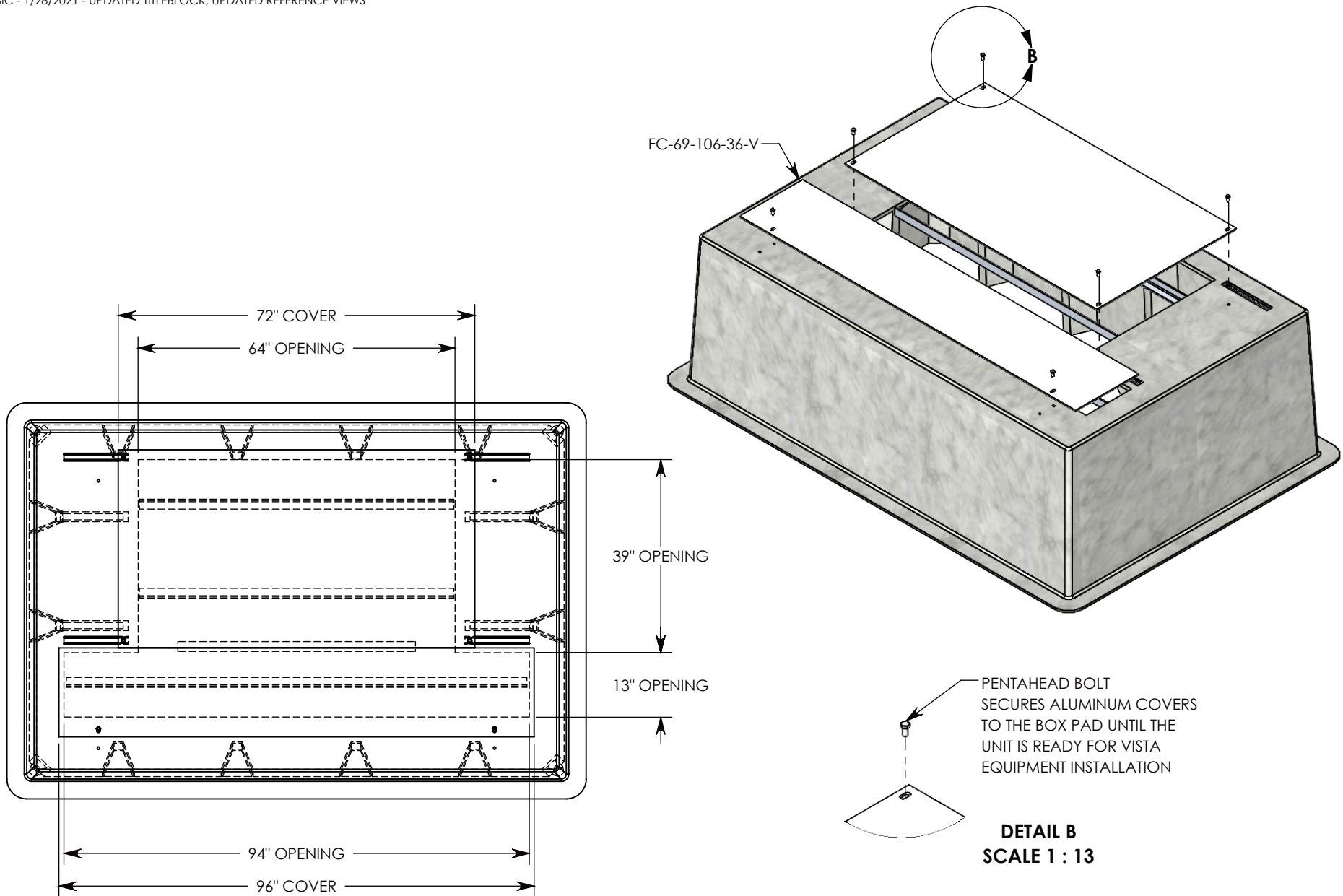


NOTE 1: SHEET 2 ILLUSTRATES HOW COVERS FITS ONTO BOX PAD P/N: FC-69-106-36-V

DRAWN BY: ROBIN FLINT	
CREATED DATE: 9/17/2012	REVISION LEVEL: B
SAVED DATE: 1/28/2021	SAVED BY: scallahan
WEIGHT: 141 LBS.	MATERIAL: ALUMINUM

CONCAST
 1010 NORTH STAR DRIVE
 P.O. BOX 69
 ZUMBROTA, MN 55992-0069

DESCRIPTION: ALUMINUM VISTA BOX PAD COVER	
DIMENSIONS ARE IN INCHES TOLERANCES: FRACTIONAL: ± 1/8" ANGULAR: ± 2°	CONTACT INFORMATION: EMAIL: INFO@CONCASTINC.COM PHONE: (507) 732-4095 FAX: (507) 732-4094
PART NUMBER: 69-106-VCA	



PENTAHEAD BOLT
 SECURES ALUMINUM COVERS
 TO THE BOX PAD UNTIL THE
 UNIT IS READY FOR VISTA
 EQUIPMENT INSTALLATION

DETAIL B
SCALE 1 : 13

DRAWN BY: ROBIN FLINT	
CREATED DATE: 9/17/2012	REVISION LEVEL: A
SAVED DATE: 1/28/2021	SAVED BY: scallahan
WEIGHT: - LBS.	MATERIAL: NOTED



CONCAST
 1010 NORTH STAR DRIVE
 P.O. BOX 69
 ZUMBROTA, MN 55992-0069

DESCRIPTION: REF. ASSEMBLY - VISTA BOX PAD COVER	
DIMENSIONS ARE IN INCHES TOLERANCES: FRACTIONAL: ± 1/8" ANGULAR: ± 2°	CONTACT INFORMATION: EMAIL: INFO@CONCASTINC.COM PHONE: (507) 732-4095 FAX: (507) 732-4094
PART NUMBER: 69-106-VCA	