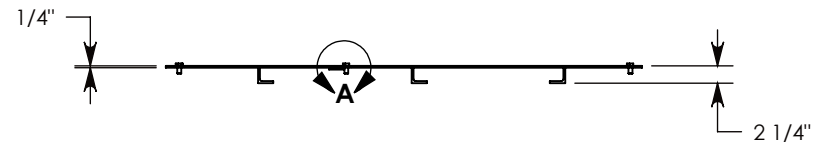
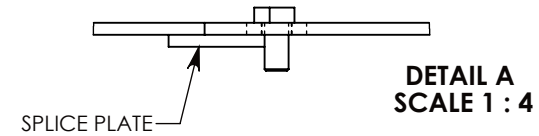
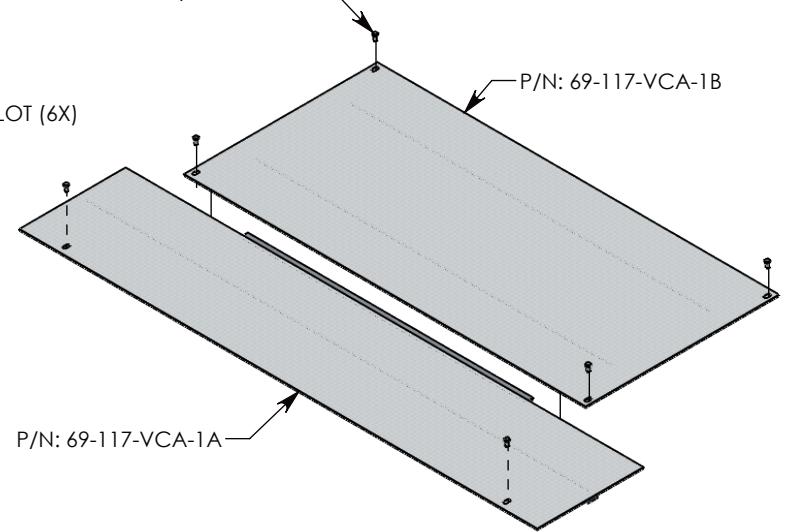


1/2-13 UNC X 1" LG PENTA HD BOLT (6X)
P/N: PTA.5-1

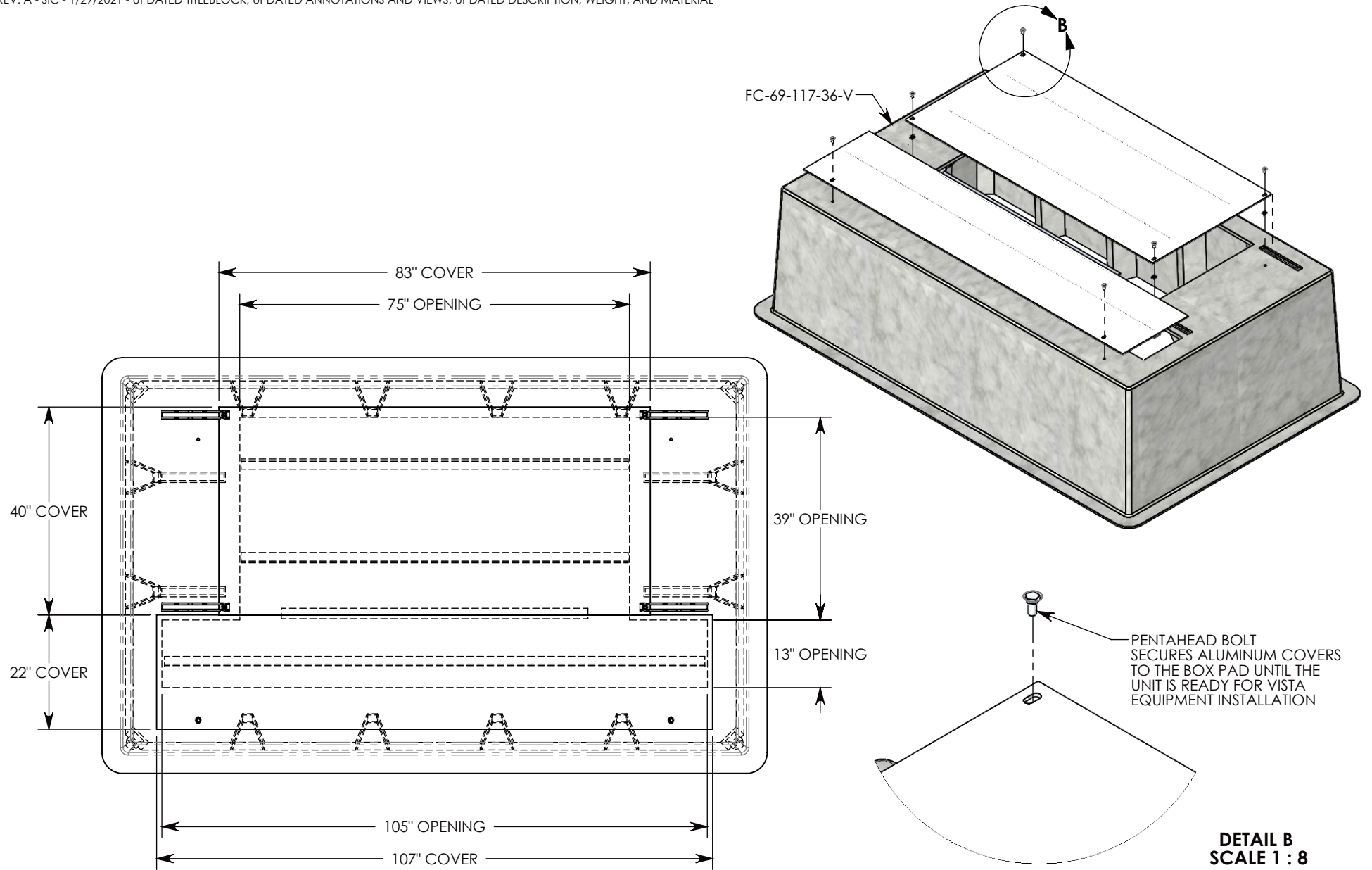


NOTE 1: SHEET 2 ILLUSTRATES HOW COVER FITS ONTO BOX PAD P/N: FC-69-106-36-V

DRAWN BY: ROBIN FLINT	
CREATED DATE: 9/17/2012	REVISION LEVEL: A
SAVED DATE: 1/29/2021	SAVED BY: scallahan
WEIGHT: 172 LBS.	MATERIAL: ALUMINUM

CONCAST
1010 NORTH STAR DRIVE
P.O. BOX 69
ZUMBROTA, MN 55992-0069

DESCRIPTION: ALUMINUM VISTA BOX PAD COVER		SHEET 1 OF 4
DIMENSIONS ARE IN INCHES TOLERANCES: FRACTIONAL: ± 1/8" ANGULAR: ± 2°	CONTACT INFORMATION: EMAIL: INFO@CONCASTINC.COM PHONE: (507) 732-4095 FAX: (507) 732-4094	
PART NUMBER: 69-117-VCA		



DRAWN BY: ROBIN FLINT

CREATED DATE: 9/17/2012 **REVISION LEVEL:** A

SAVED DATE: 1/29/2021 **SAVED BY:** scallahan

WEIGHT: - LBS. **MATERIAL:** NOTED

CONCAST
1010 NORTH STAR DRIVE
P.O. BOX 69
ZUMBROTA, MN 55992-0069

DESCRIPTION:

REF. ASSEMBLY - VISTA BOX PAD COVER

DIMENSIONS ARE IN INCHES
TOLERANCES:
FRACTIONAL: ± 1/8"
ANGULAR: ± 2°

CONTACT INFORMATION:
EMAIL: INFO@CONCASTINC.COM
PHONE: (507) 732-4095
FAX: (507) 732-4094

SHEET 2 OF 4

PART NUMBER:

69-117-VCA