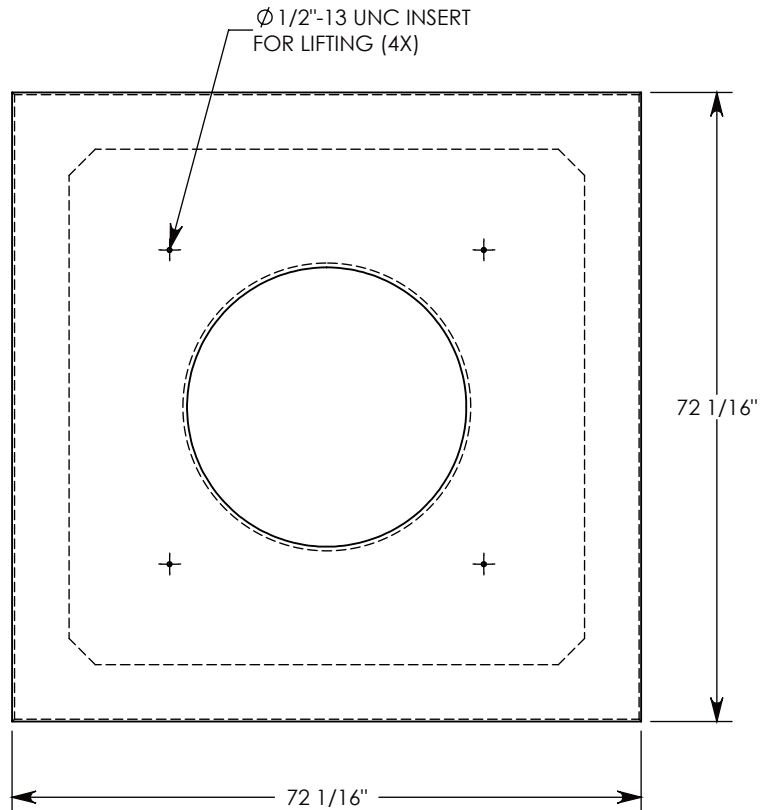
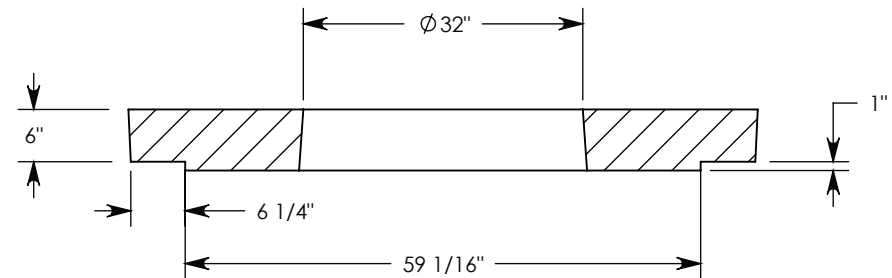
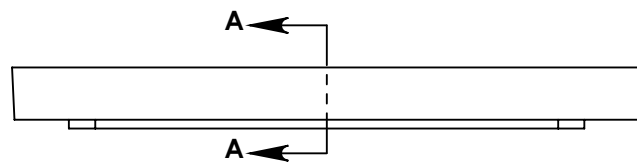
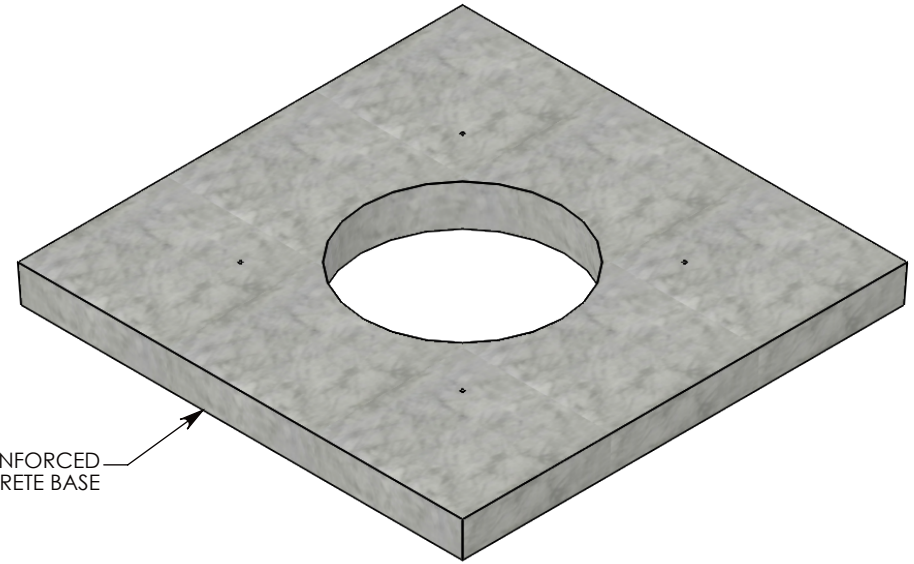


FIBERCRETE®



STEEL REINFORCED  
CONCRETE BASE



**NOTE 1:** USE OPTIONAL 4" TALL EXTENSION/GRADE RINGS TO INCREASE HEIGHT OF COVER OPENING. P/N: HE-42  
**NOTE 2:** CAST IRON MANHOLE LID & FRAME ARE INCLUDED WITH THE FINAL PULL BOX ASSEMBLY.

**SECTION A-A**

H-20 RATED - 32,000 LB. PER AXLE LOAD.

<b>DRAWN BY: ROBIN FLINT</b>	
<b>DATE: 9/4/2016</b>	<b>REVISION LEVEL: A</b>
<b>WEIGHT: 2344 LBS.</b>	<b>MATERIAL: CONCRETE</b>



**CONCAST**  
 1010 NORTH STAR DRIVE  
 P.O. BOX 69  
 ZUMBROTA, MN 55992-0069

<b>DESCRIPTION:</b>		
<b>MANHOLE COVER BASE</b>		
DIMENSIONS ARE IN INCHES TOLERANCES: FRACTIONAL: ± 1/8" ANGULAR: ± 2°	CONTACT INFORMATION: EMAIL: INFO@CONCASTINC.COM PHONE: (507) 732-4095 FAX: (507) 732-4094	SHEET 1 OF 1
<b>PART NUMBER:</b>		
<b>72-72-MH</b>		