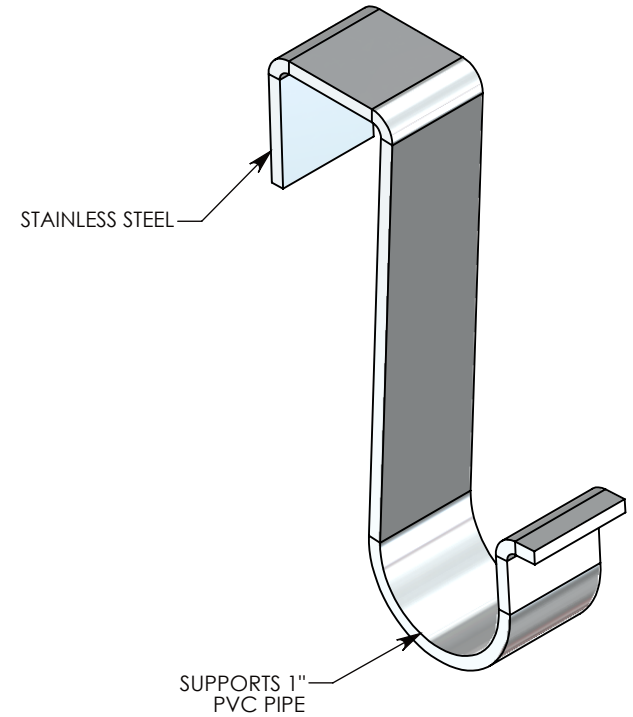
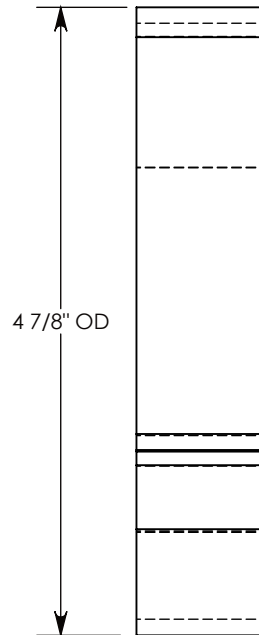
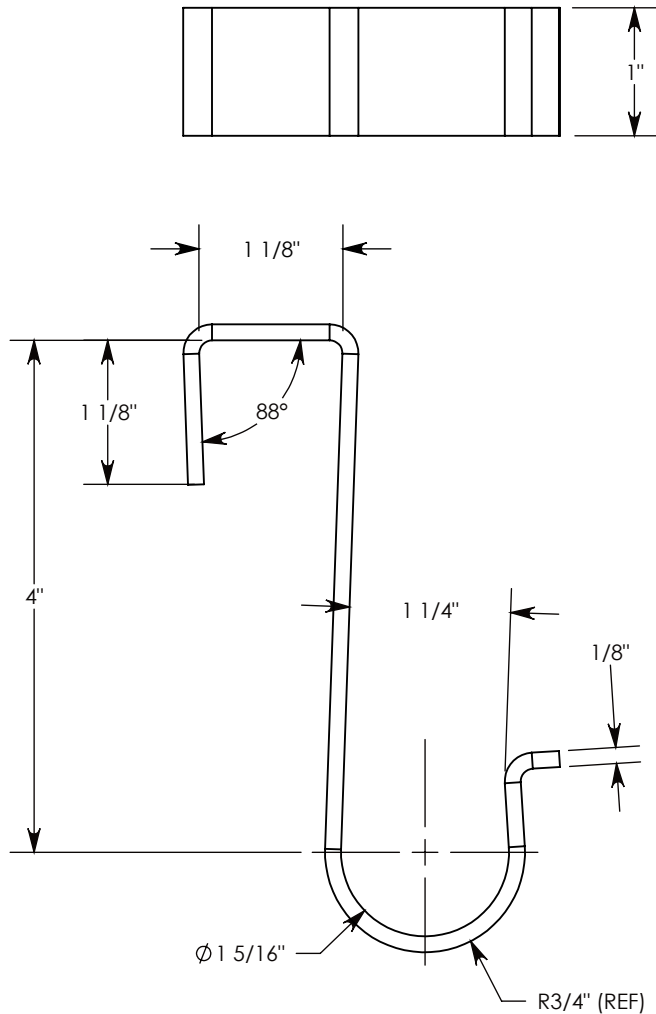


FIBERCRETE[®]
TRENCH
SYSTEM



CHANNELS ARE NOTCHED FOR CABLE CLIPS.

DRAWN BY: ROBIN FLINT	
DATE: 8/15/2015	REVISION LEVEL: 0
WEIGHT: 0.3 LBS.	MATERIAL: STAINLESS STEEL



1010 NORTH STAR DRIVE
P.O. BOX 69
ZUMBROTA, MN 55992-0069

DESCRIPTION: PEDESTRIAN CHANNEL CABLE CLIP	
DIMENSIONS ARE IN INCHES TOLERANCES: FRACTIONAL: ± 1/8" ANGULAR: ± 2°	CONTACT INFORMATION: EMAIL: INFO@CONCASTINC.COM PHONE: (507) 732-4095 FAX: (507) 732-4094
PART NUMBER: 8002-007	SHEET 1 OF 1