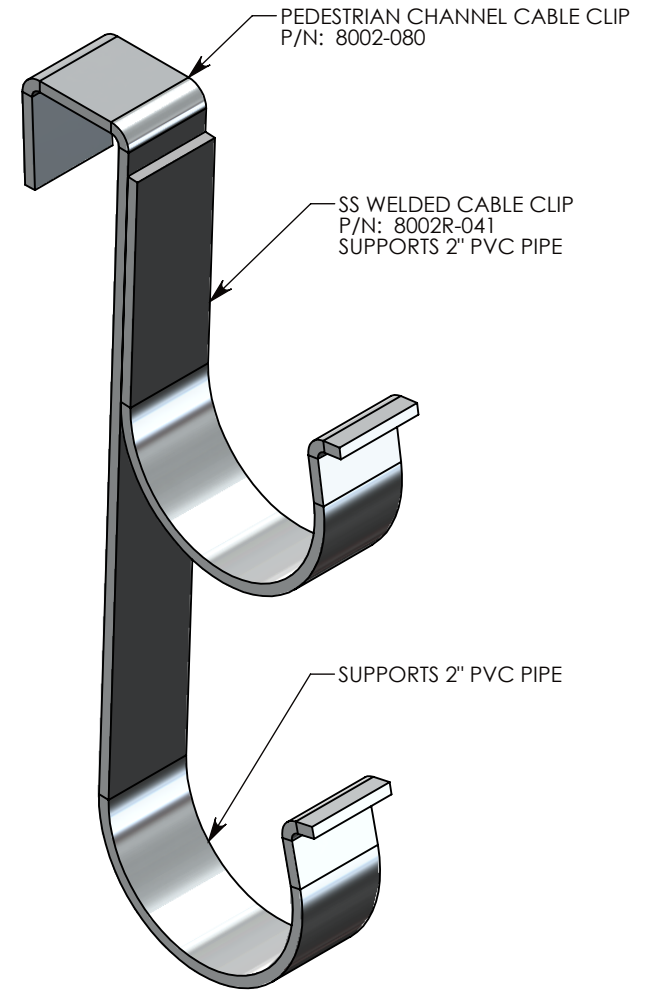
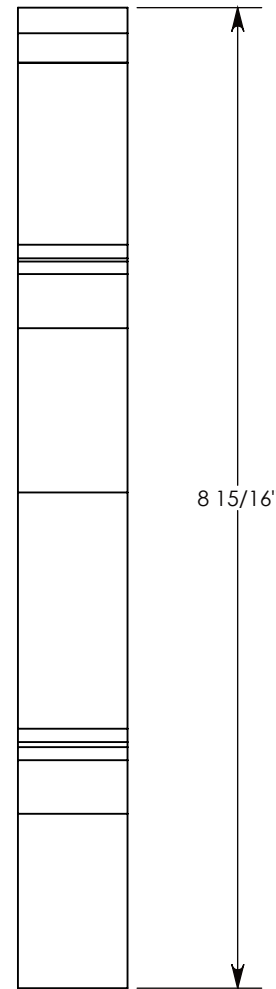
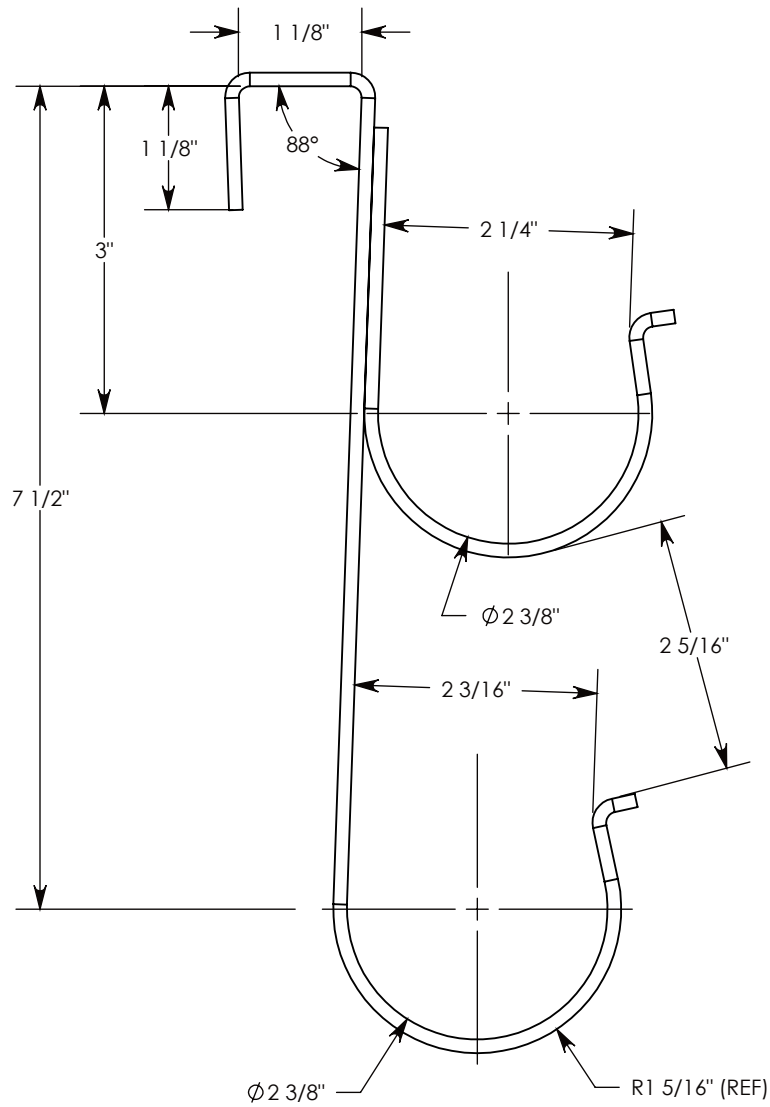


FIBERCRETE[®]
TRENCH
SYSTEM



DRAWN BY: ROBIN FLINT

DATE: 8/15/2015

REVISION LEVEL: 0

WEIGHT:

0.8 LBS.

MATERIAL:

NOTED

CONCAST
 1010 NORTH STAR DRIVE
 P.O. BOX 69
 ZUMBROTA, MN 55992-0069

DESCRIPTION:

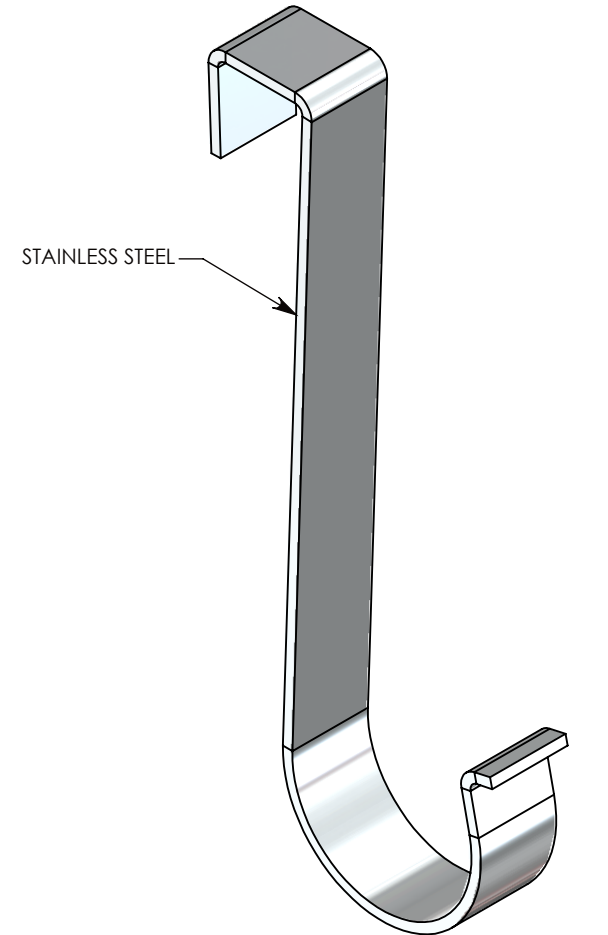
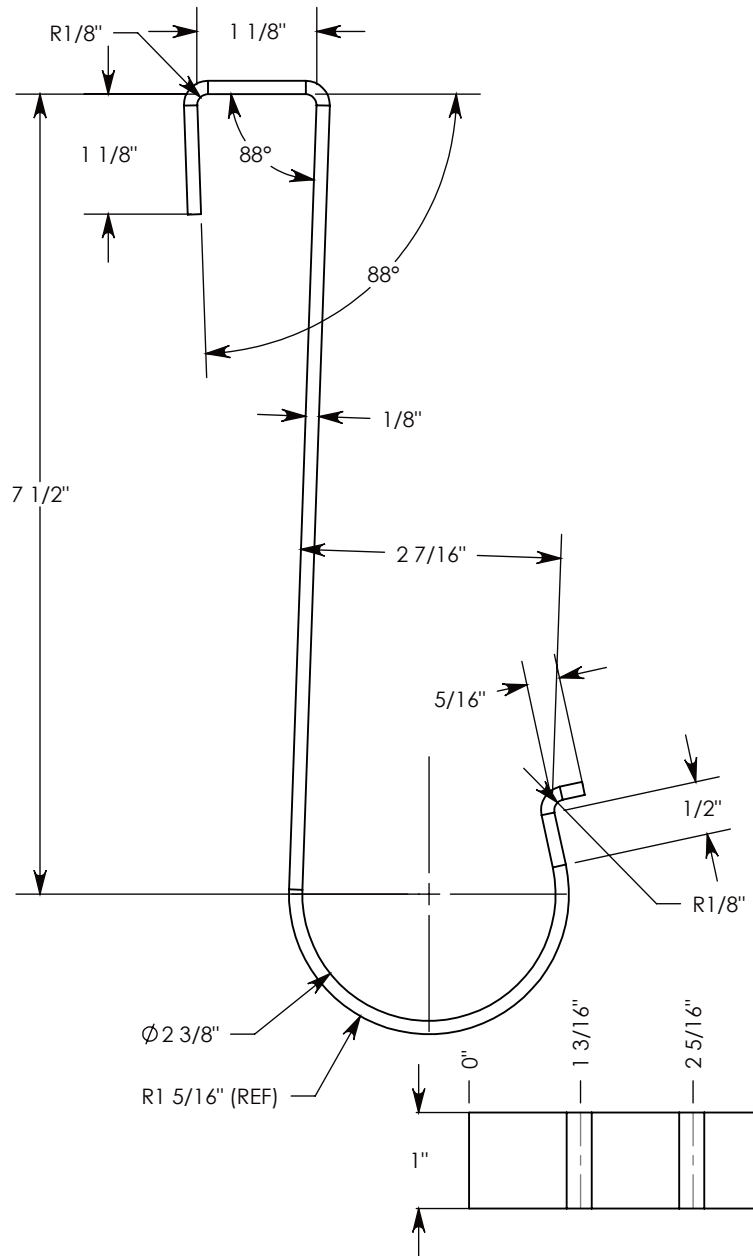
PEDESTRIAN CHANNEL DOUBLE CABLE CLIP

DIMENSIONS ARE IN INCHES
 TOLERANCES:
 FRACTIONAL: ± 1/8"
 ANGULAR: ± 2°

CONTACT INFORMATION:
 EMAIL: INFO@CONCASTINC.COM
 PHONE: (507) 732-4095
 FAX: (507) 732-4094

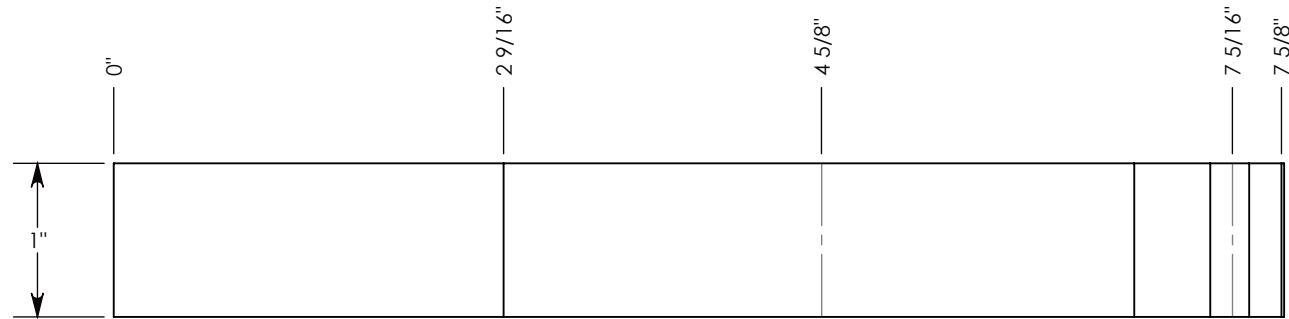
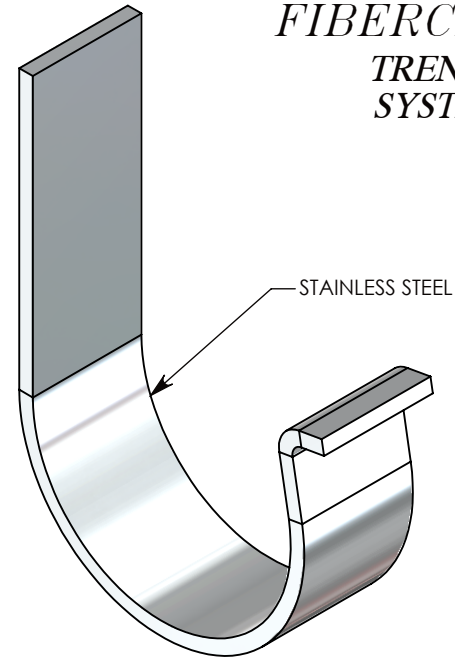
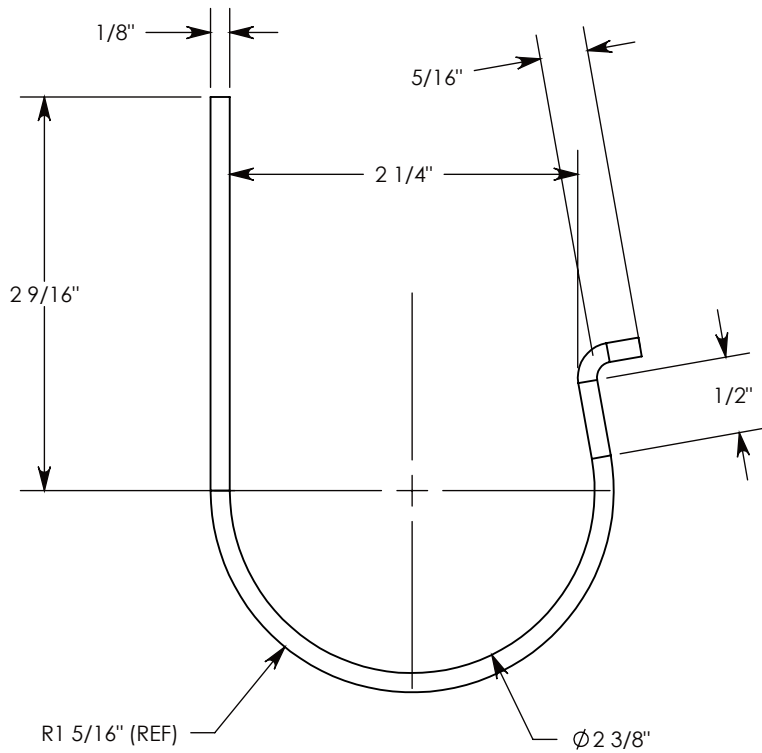
PART NUMBER: 8002-011

SHEET 1 OF 1



DRAWN BY: ROBIN FLINT		 1010 NORTH STAR DRIVE P.O. BOX 69 ZUMBROTA, MN 55992-0069	DESCRIPTION:	
DATE: 8/15/2015	REVISION LEVEL: 0		PEDESTRIAN CHANNEL CABLE CLIP	
WEIGHT: 0.5 LBS.	MATERIAL: STAINLESS STEEL		DIMENSIONS ARE IN INCHES TOLERANCES: FRACTIONAL: $\pm 1/8"$ ANGULAR: $\pm 2^\circ$	CONTACT INFORMATION: EMAIL: INFO@CONCASTINC.COM PHONE: (507) 732-4095 FAX: (507) 732-4094
		PART NUMBER: 8002-080	SHEET 2 OF 3	

FIBERCRETE[®]
TRENCH
SYSTEM



DRAWN BY: ROBIN FLINT

DATE: 8/15/2015

REVISION LEVEL: 0

WEIGHT:

0.3 LBS.

MATERIAL:

STAINLESS STEEL



1010 NORTH STAR DRIVE
 P.O. BOX 69
 ZUMBROTA, MN 55992-0069

DESCRIPTION:

SS WELDED CABLE CLIP

DIMENSIONS ARE IN INCHES
 TOLERANCES:
 FRACTIONAL: ± 1/8"
 ANGULAR: ± 2°

CONTACT INFORMATION:
 EMAIL: INFO@CONCASTINC.COM
 PHONE: (507) 732-4095
 FAX: (507) 732-4094

PART NUMBER: 8002R-041

SHEET 3 OF 3