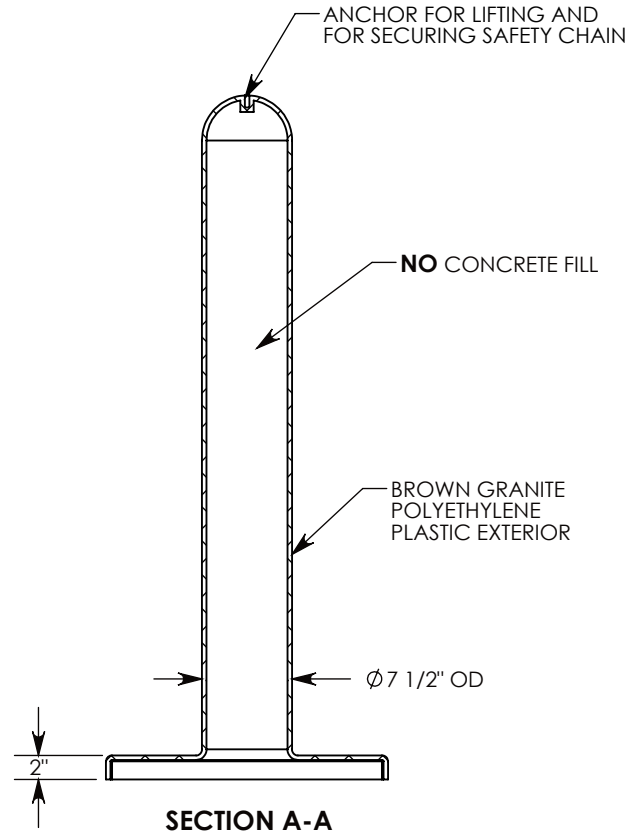
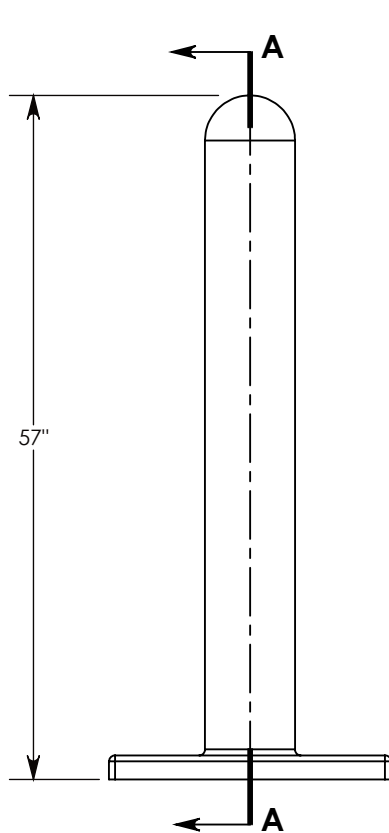
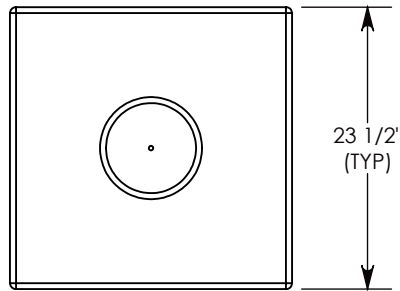


FIBERCRETE®



DRAWN BY: ROBIN FLINT

DATE: 7/20/2012

REVISION LEVEL: 0

WEIGHT:

24 LBS.

MATERIAL:

BROWN GRANITE PE

CONCAST
 1010 NORTH STAR DRIVE
 P.O. BOX 69
 ZUMBROTA, MN 55992-0069

DESCRIPTION:

GUIDE POST - HOLLOW - BROWN GRANITE

DIMENSIONS ARE IN INCHES
 TOLERANCES:
 FRACTIONAL: $\pm 1/8$ "
 ANGULAR: $\pm 2^\circ$

CONTACT INFORMATION:
 EMAIL: INFO@CONCASTINC.COM
 PHONE: (507) 732-4095
 FAX: (507) 732-4094

SHEET 1 OF 1

PART NUMBER:

8005BG-7HB