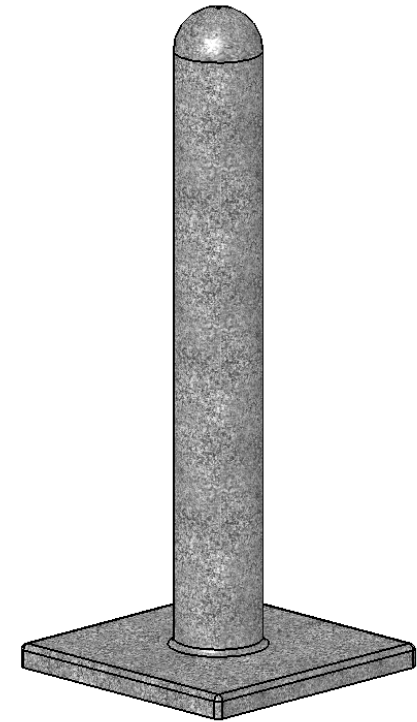
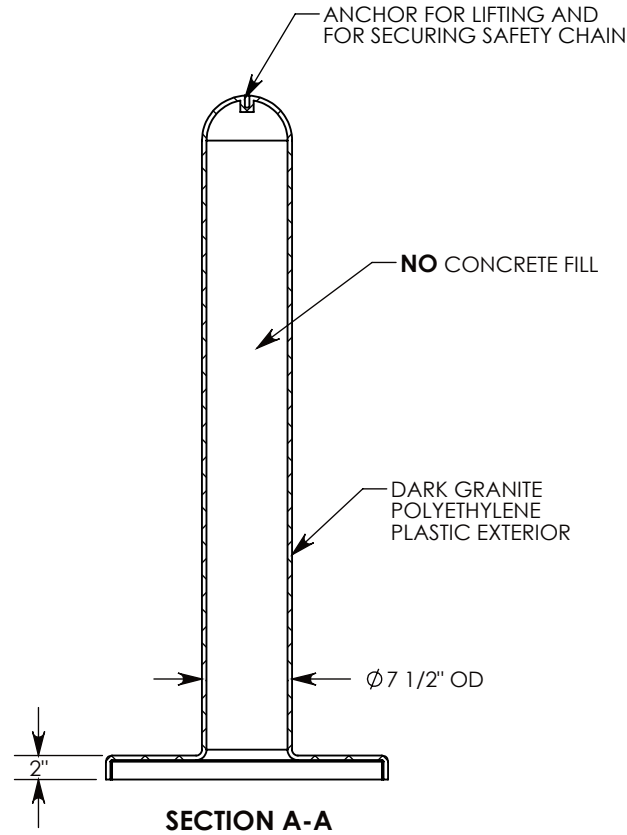
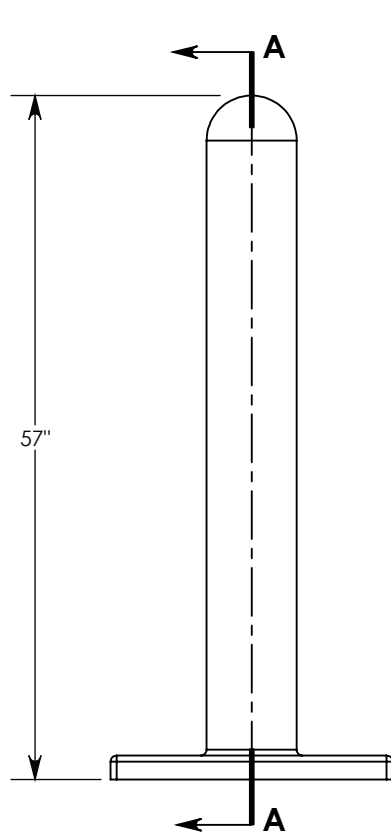
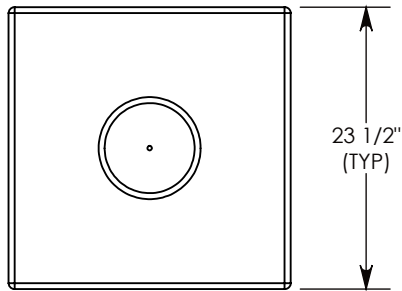


FIBERCRETE®



DRAWN BY: ROBIN FLINT

DATE: 7/20/2012

REVISION LEVEL: 0

WEIGHT:

24 LBS.

MATERIAL:

DK GRANITE POLYETHYLENE



1010 NORTH STAR DRIVE
P.O. BOX 69
ZUMBROTA, MN 55992-0069

DESCRIPTION:

GUIDE POST - HOLLOW - DK. GRANITE

DIMENSIONS ARE IN INCHES
TOLERANCES:
FRACTIONAL: ± 1/8"
ANGULAR: ± 2°

CONTACT INFORMATION:
EMAIL: INFO@CONCASTINC.COM
PHONE: (507) 732-4095
FAX: (507) 732-4094

SHEET 1 OF 1

PART NUMBER:

8005DG-7HB