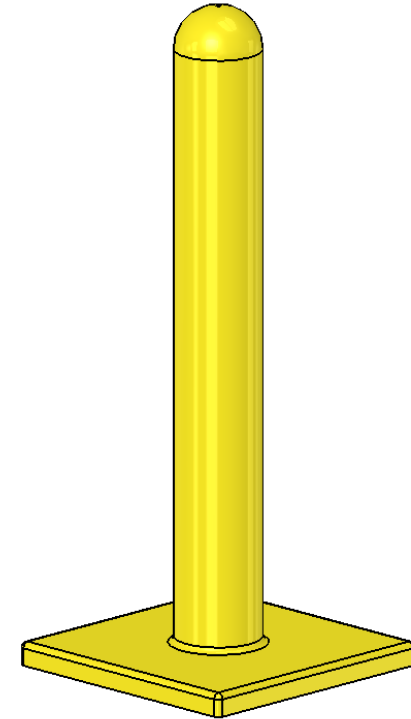
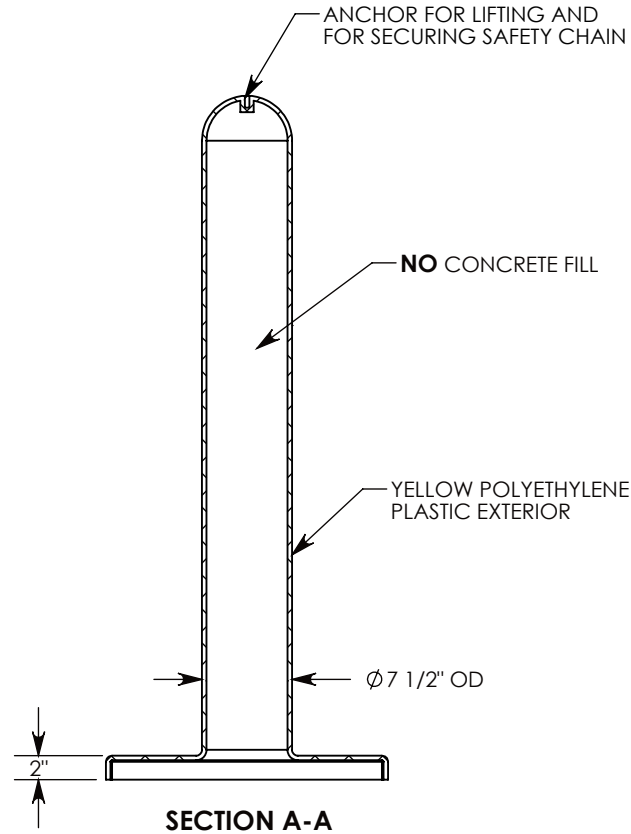
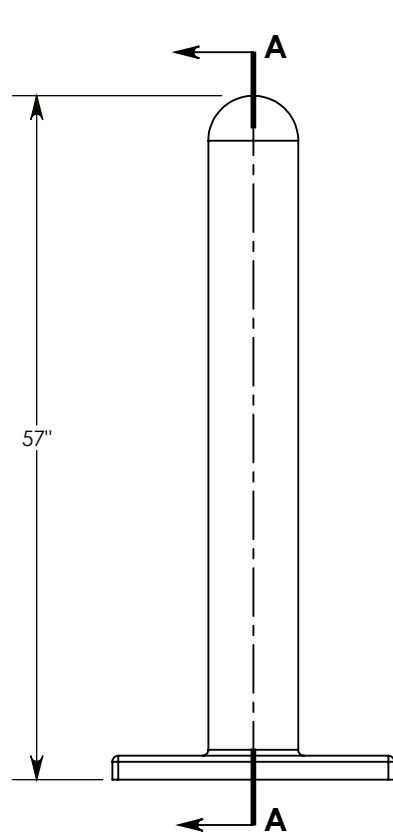
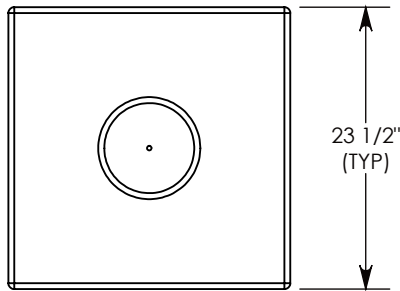


FIBERCRETE®



**DRAWN BY: ROBIN FLINT**

**DATE: 7/20/2012**

**REVISION LEVEL: 0**

**WEIGHT:**

**24 LBS.**

**MATERIAL:**

**YELLOW POLYETHYLENE**

 **CONCAST**  
1010 NORTH STAR DRIVE  
P.O. BOX 69  
ZUMBROTA, MN 55992-0069

**DESCRIPTION:**

**GUIDE POST - HOLLOW - YELLOW**

DIMENSIONS ARE IN INCHES  
TOLERANCES:  
FRACTIONAL:  $\pm 1/8"$   
ANGULAR:  $\pm 2^\circ$

CONTACT INFORMATION:  
EMAIL: [INFO@CONCASTINC.COM](mailto:INFO@CONCASTINC.COM)  
PHONE: (507) 732-4095  
FAX: (507) 732-4094

SHEET 1 OF 1

**PART NUMBER:**

**8005Y-7HB**