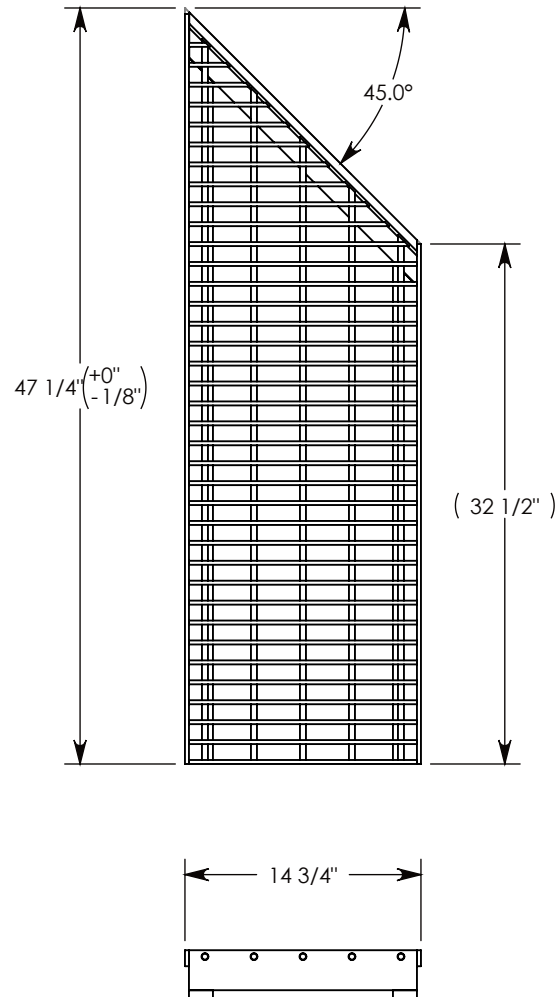
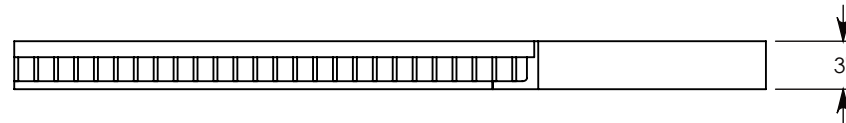
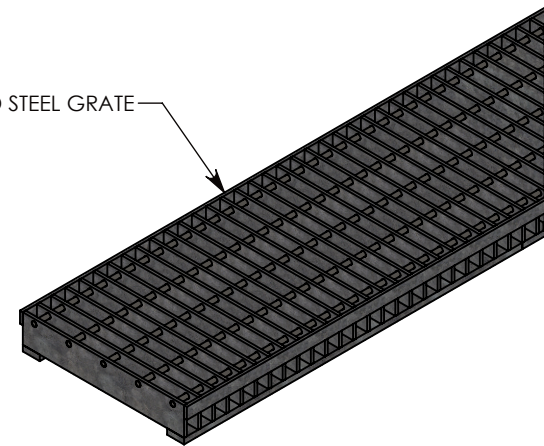


COVER ASSEMBLES ONTO 10" INSIDE WIDTH
HEAVY TRAFFIC H-20 RATED CONCAST HT3 TRENCH



WELDED GALVANIZED STEEL GRATE



NOTE 1: FOR NON-STANDARD LENGTHS, THE PART NUMBER WILL CORRESPOND TO IT'S MEASURED LENGTH. IE: 8011HTSGV 45R 30"

AASHTO H-20 RATED – 32,000 LB. SINGLE AXLE LOAD

DRAWN BY: ROSS LAGER	
DATE: 1/22/2019	REVISION LEVEL: 0
WEIGHT: 119 LBS.	MATERIAL: GALVANIZED STEEL



CONCAST
1010 NORTH STAR DRIVE
P.O. BOX 69
ZUMBROTA, MN 55992-0069

DESCRIPTION: VENTILATED STEEL COVER - 45 DEG. ANGLE		SHEET 1 OF 1
DIMENSIONS ARE IN INCHES TOLERANCES: FRACTIONAL: ± 1/8" ANGULAR: ± 2°	CONTACT INFORMATION: EMAIL: INFO@CONCASTINC.COM PHONE: (507) 732-4095 FAX: (507) 732-4094	
PART NUMBER: 8011HTSGV 45R		