

3/8-16 UNC X 2.50" LG HEX HD BOLT, GRADE 8
 P/N: HHB.38-2.5G8 QTY: 2

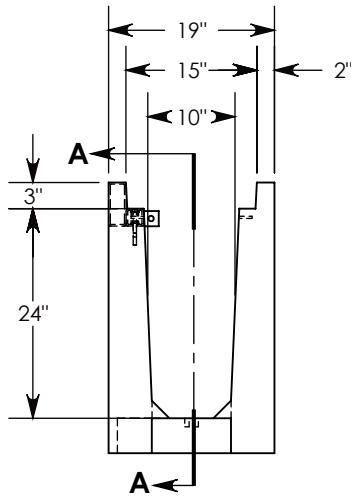
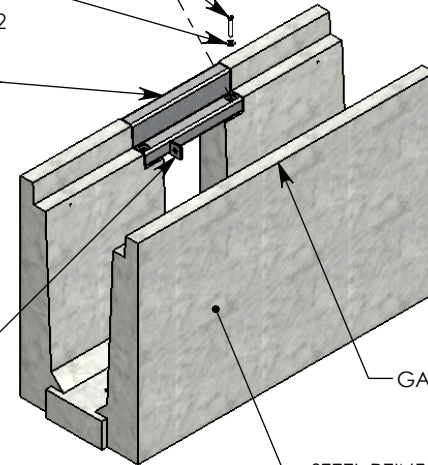
3/8" STD WASHER - 1" OD
 P/N: WSR.38-1 QTY: 2

REMOVABLE COVER
 SUPPORT RAIL
 P/N: CST-10

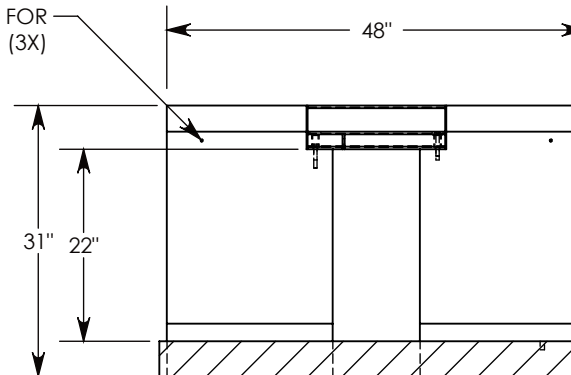
GROUNDING TAB

GALV. STEEL TOP RAILS

STEEL REINFORCED CONCRETE



Ø 1/4" INSERT FOR
 CABLE CLIPS (3X)



SECTION A-A

AASHTO H-20 RATED - 32,000 LB. SINGLE AXLE LOAD

DRAWN BY: ROSS LAGER	
CREATED DATE: 7/14/2008	REVISION LEVEL: A
SAVED DATE: 1/28/2020	SAVED BY: scallahan
WEIGHT: 1130 LBS.	MATERIAL: NOTED

1010 NORTH STAR DRIVE
 P.O. BOX 69
 ZUMBROTA, MN 55992-0069

DESCRIPTION:
HEAVY TRAFFIC UNIVERSAL CHANNEL

DIMENSIONS ARE IN INCHES
 TOLERANCES:
 FRACTIONAL: ± 1/8"
 ANGULAR: ± 2°

CONTACT INFORMATION:
 EMAIL: INFO@CONCASTINC.COM
 PHONE: (507) 732-4095
 FAX: (507) 732-4094

SHEET 1 OF 1

PART NUMBER:
801224HT3 (0X10)