

3/8-16 UNC X 2.50\"/>

3/8\"/>

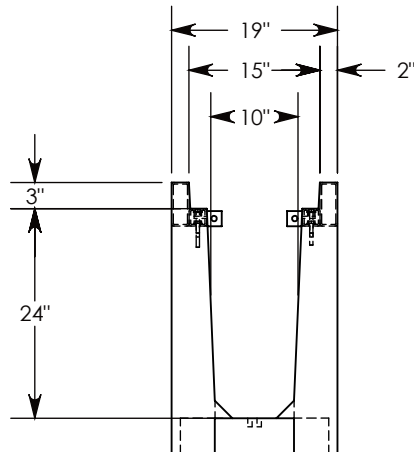
REMOVABLE COVER  
SUPPORT RAIL  
P/N: CST-10

GROUNDING TAB

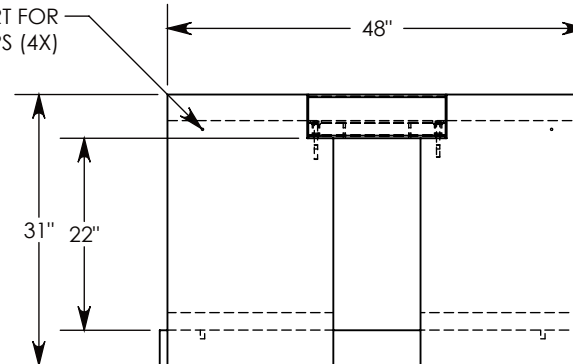
REMOVABLE COVER  
SUPPORT RAIL  
P/N: CST-10

GALV. STEEL TOP RAILS

STEEL REINFORCED CONCRETE



Ø 1/4\"/>



AASHTO H-20 RATED – 32,000 LB. SINGLE AXLE LOAD

**DRAWN BY:** ROSS LAGER

**CREATED DATE:** 7/14/2008

**REVISION LEVEL:** A

**SAVED DATE:** 1/28/2020

**SAVED BY:** scallahan

**WEIGHT:**  
1041 LBS.

**MATERIAL:**  
NOTED



**CONCAST**  
1010 NORTH STAR DRIVE  
P.O. BOX 69  
ZUMBROTA, MN 55992-0069

**DESCRIPTION:**

**HEAVY TRAFFIC UNIVERSAL CHANNEL**

DIMENSIONS ARE IN INCHES  
TOLERANCES:  
FRACTIONAL: ± 1/8"  
ANGULAR: ± 2°

CONTACT INFORMATION:  
EMAIL: INFO@CONCASTINC.COM  
PHONE: (507) 732-4095  
FAX: (507) 732-4094

SHEET 1 OF 1

**PART NUMBER:**

**801224HT3 (10X10)**