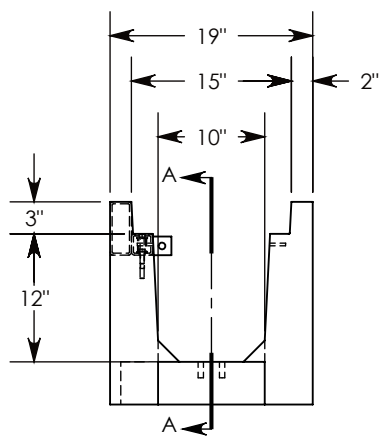
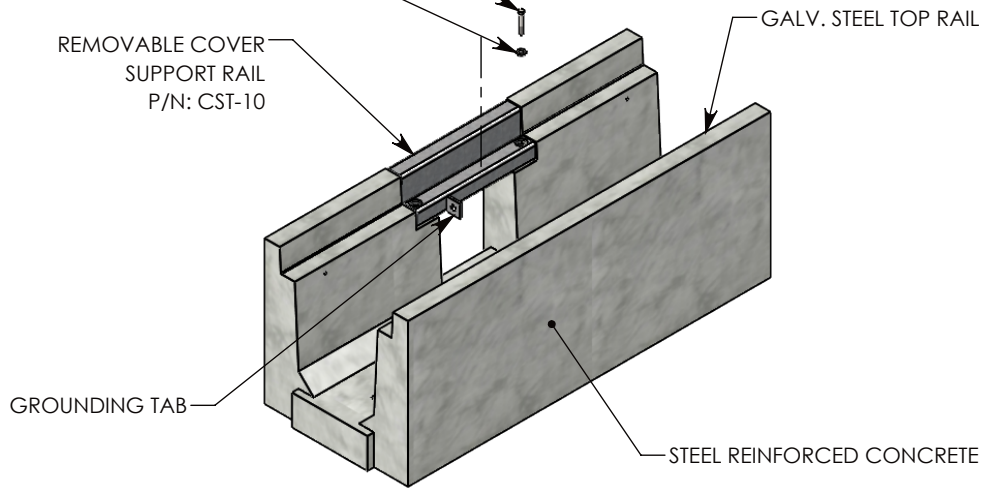


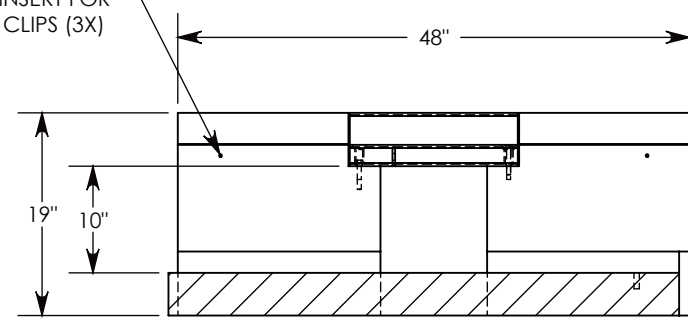
3/8-16 UNC X 2.50" LG HEX HD BOLT, GRADE 8
P/N: HHB.38-2.5G8 QTY: 2

3/8" STD WASHER - 1" OD
P/N: WSR.38-1 QTY: 2

REMOVABLE COVER
SUPPORT RAIL
P/N: CST-10



$\phi 1/4$ " INSERT FOR
CABLE CLIPS (3X)



SECTION A-A

AASHTO H-20 RATED - 32,000 LB. SINGLE AXLE LOAD

DRAWN BY: ROSS LAGER	
CREATED DATE: 7/14/2008	REVISION LEVEL: A
SAVED DATE: 1/28/2020	SAVED BY: scallahan
WEIGHT: 725 LBS.	MATERIAL: NOTED

1010 NORTH STAR DRIVE
P.O. BOX 69
ZUMBROTA, MN 55992-0069

DESCRIPTION: HEAVY TRAFFIC UNIVERSAL CHANNEL	
DIMENSIONS ARE IN INCHES TOLERANCES: FRACTIONAL: $\pm 1/8$ " ANGULAR: $\pm 2^\circ$	CONTACT INFORMATION: EMAIL: INFO@CONCASTINC.COM PHONE: (507) 732-4095 FAX: (507) 732-4094
PART NUMBER: 8012HT3 (0X10)	
SHEET 1 OF 1	