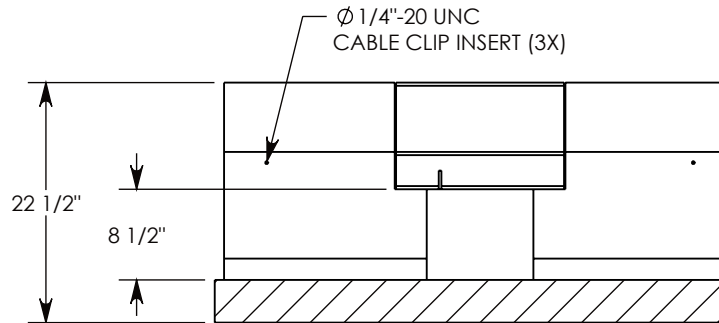
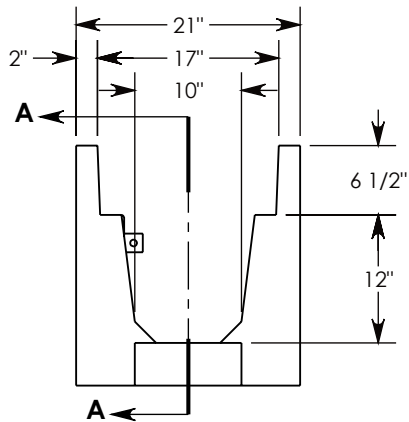
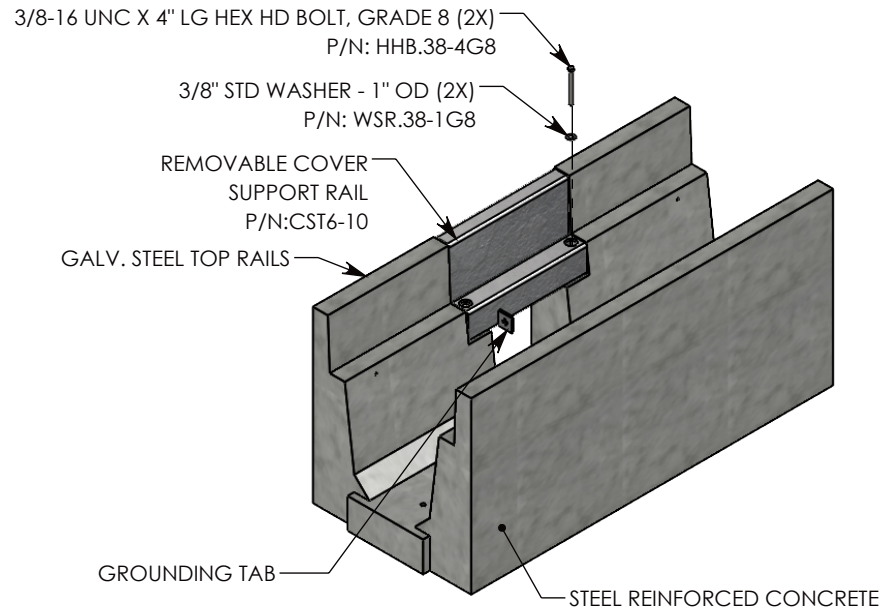
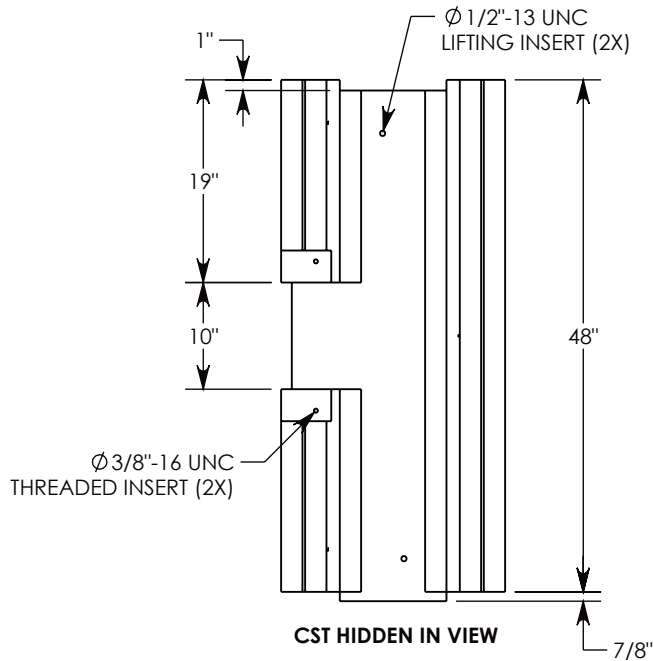


REV. A - DRB - 7/21/2023 - UPDATED TO USE COVER SUPPORT

REV. B - SIC - 9/13/2023 - UPDATED ANNOTATIONS AND ADDED DIMENSIONS; UPDATED WEIGHT RATING TO H-40, WAS H-20



SECTION A-A

MAX AASHTO H-40 RATED - 64,000 LB. SINGLE AXLE LOAD.
DEPENDENT ON TRENCH COVER RATING

DRAWN BY: ROBIN LEWIS

CREATED DATE: 7/14/2008 **REVISION LEVEL:** B

SAVED DATE: 9/13/2023 **SAVED BY:** scallahan

WEIGHT: 875 LBS. **MATERIAL:** NOTED

CONCAST
1010 NORTH STAR DRIVE
P.O. BOX 69
ZUMBROTA, MN 55992-0069

DESCRIPTION:

HEAVY TRAFFIC UNIVERSAL

DIMENSIONS ARE IN INCHES
TOLERANCES:
FRACTIONAL: $\pm 1/8$ "
ANGULAR: $\pm 2^\circ$

CONTACT INFORMATION:
EMAIL: INFO@CONCASTINC.COM
PHONE: (507) 732-4095
FAX: (507) 732-4094

SHEET 1 OF 1

PART NUMBER:

8012HT (0X10)