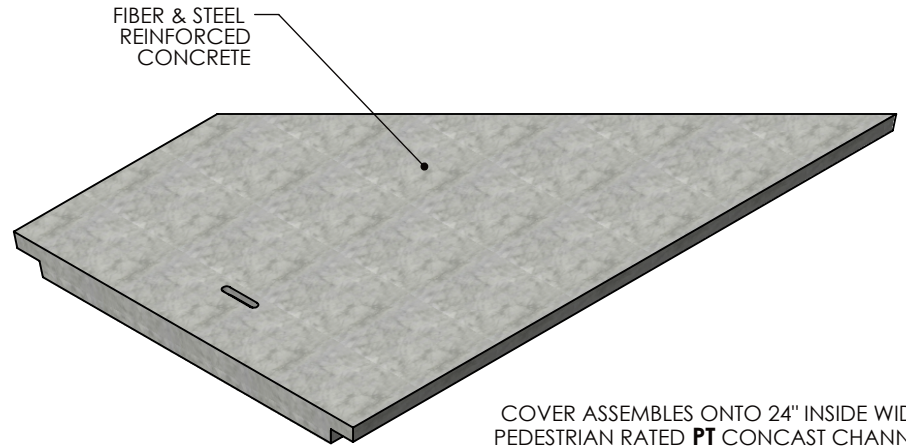
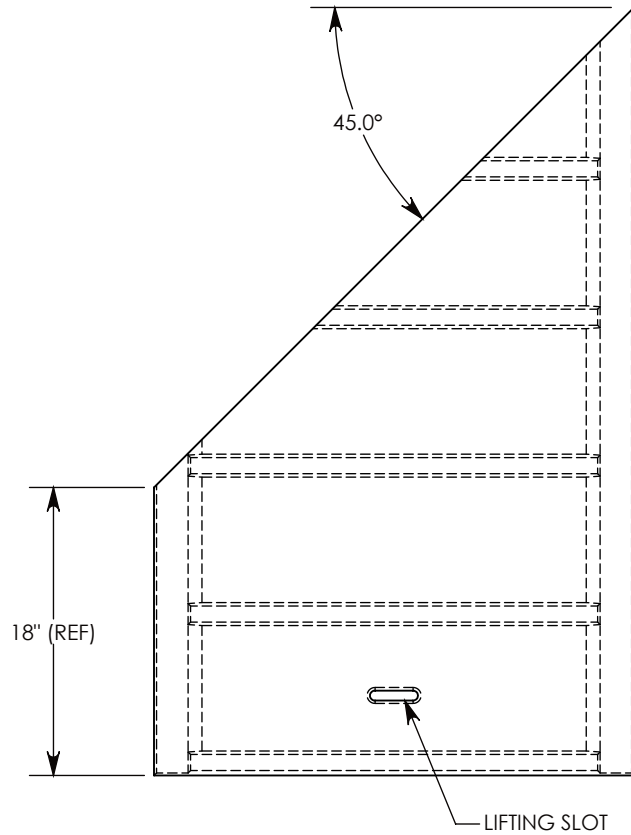
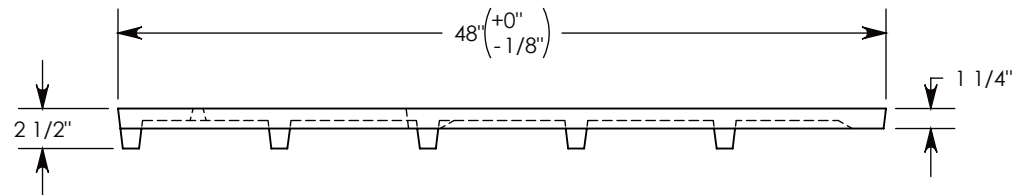
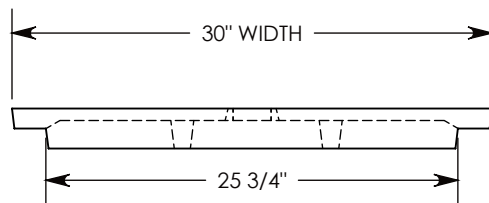


FIBERCRETE[®]
TRENCH
SYSTEM



COVER ASSEMBLES ONTO 24" INSIDE WIDTH PEDESTRIAN RATED **PT** CONCAST CHANNEL.



PEDESTRIAN RATED - 200 LB. PER SQ. FOOT

NOTE 1: FOR NON-STANDARD LENGTHS, THE PART NUMBER WILL CORRESPOND TO IT'S MEASURED LENGTH. IE: 8025PT 45L 42"

DRAWN BY: ROBIN FLINT

DATE: 10/7/2015

REVISION LEVEL: 0

WEIGHT:

77 LBS.

MATERIAL:

CAST FIBERCRETE



CONCAST
 1010 NORTH STAR DRIVE
 P.O. BOX 69
 ZUMBROTA, MN 55992-0069

DESCRIPTION:

PEDESTRIAN FC COVER 45 DEG. ANGLE

DIMENSIONS ARE IN INCHES

TOLERANCES:
 FRACTIONAL: ± 1/8"
 ANGULAR: ± 2°

CONTACT INFORMATION:
 EMAIL: INFO@CONCASTINC.COM
 PHONE: (507) 732-4095
 FAX: (507) 732-4094

SHEET 1 OF 1

PART NUMBER:

8025PT 45L