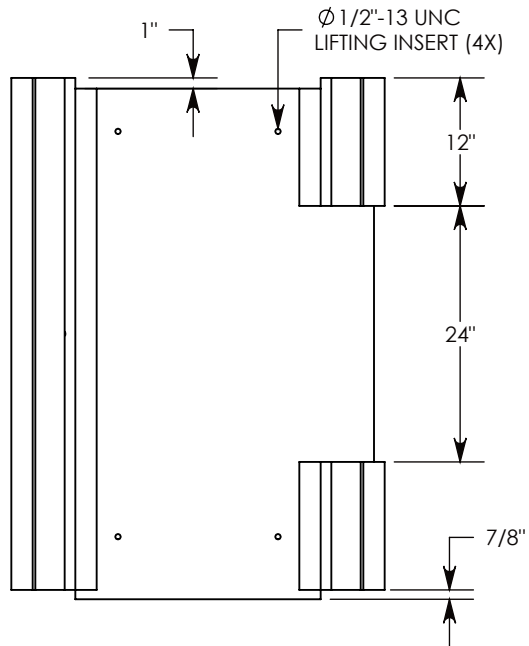
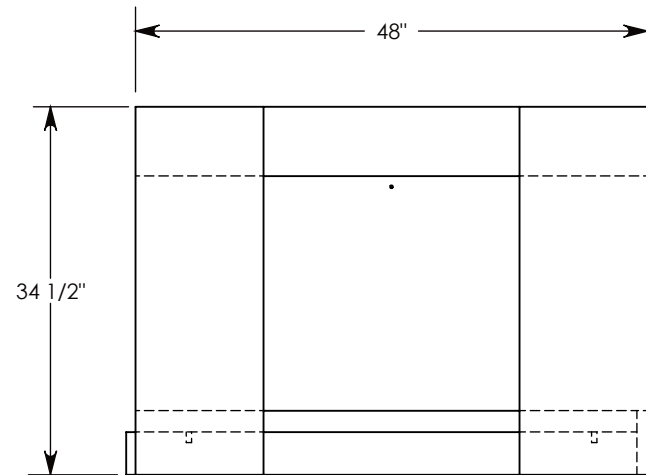
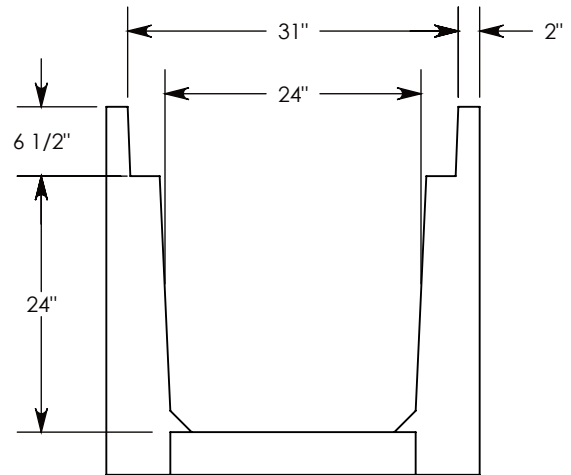
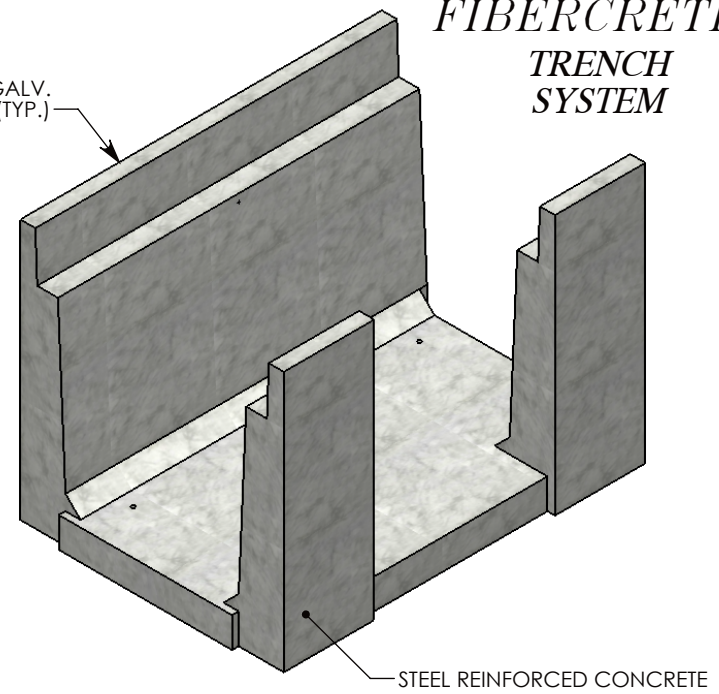


**FIBERCRETE<sup>®</sup>**  
**TRENCH SYSTEM**



1 7/8" X 1 7/8" GALV. STEEL TOP RAIL (TYP.)



H-20 RATED - 32,000 LB. PER AXLE LOAD

<b>DRAWN BY: ROBIN LEWIS</b>	
<b>DATE: 7/11/2011</b>	<b>REVISION LEVEL: 0</b>
<b>WEIGHT: 1419 LBS.</b>	<b>MATERIAL: CONCRETE</b>



**CONCAST**  
 1010 NORTH STAR DRIVE  
 P.O. BOX 69  
 ZUMBROTA, MN 55992-0069

<b>DESCRIPTION:</b>		SHEET 1 OF 1
<b>HEAVY TRAFFIC UNIVERSAL CHANNEL</b>		
DIMENSIONS ARE IN INCHES	CONTACT INFORMATION:	PART NUMBER: <b>802624HT (24X0)</b>
TOLERANCES:	EMAIL: INFO@CONCASTINC.COM	
FRACTIONAL: ± 1/8" ANGULAR: ± 2°	PHONE: (507) 732-4095 FAX: (507) 732-4094	