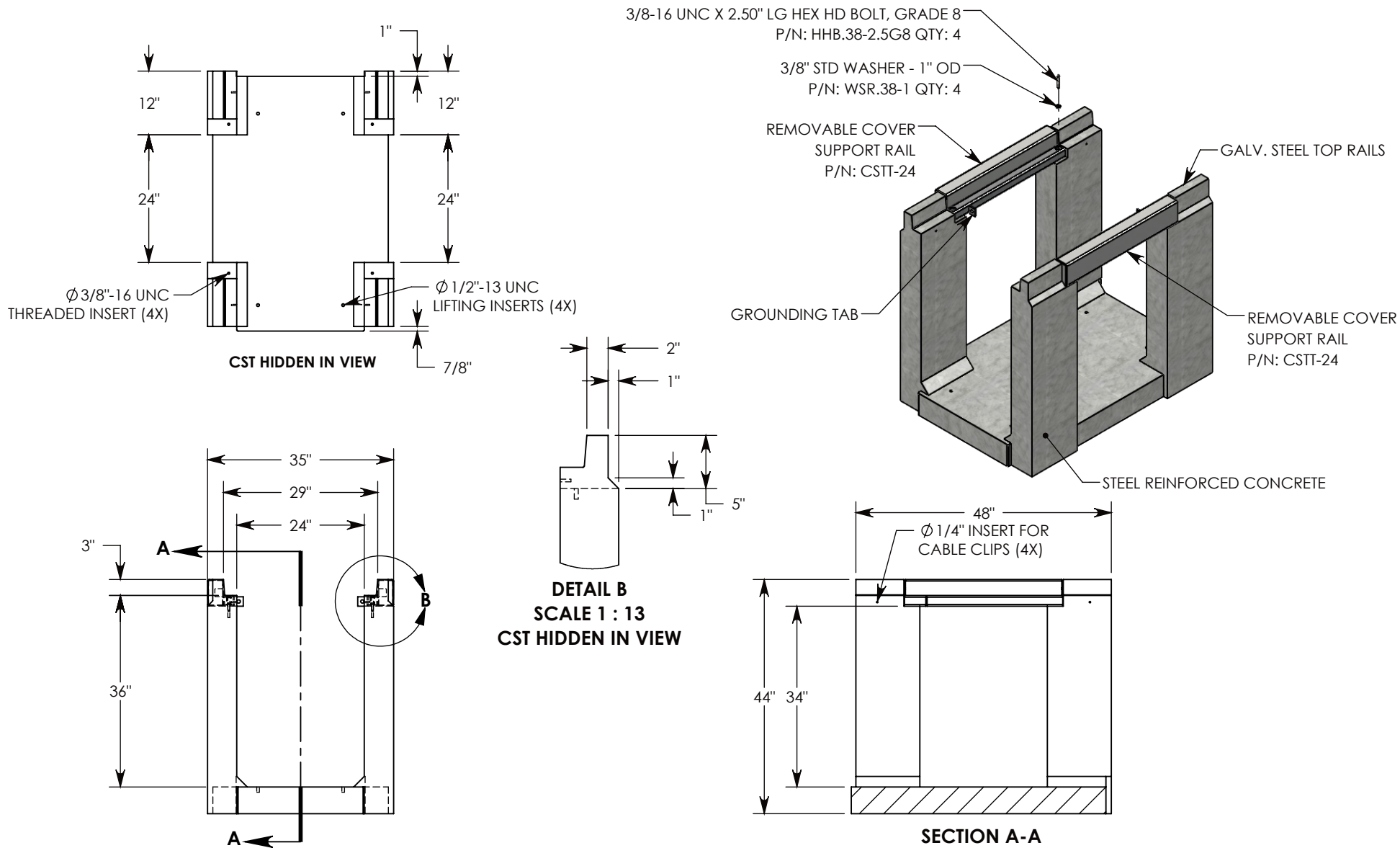


REV. A - SIC - 8/23/2019 - ADDED CABLE CLIP INSERTS; UPDATED VIEWS AND ANNOTATIONS

REV. B - SIC - 10/7/2020 - ADDED TOP RAIL REDUCTION FEATURE TO CHANGE TOP RAIL TO 2", WAS 3"; REPLACED RIGHT VIEW WITH SECTION A-A; ADDED DETAIL B; REVISED CSST DESIGN; ADDED WEIGHT



AASHTO H-20 RATED - 32,000 LB. SINGLE AXLE LOAD

<b>DRAWN BY: ROSS LAGER</b>	
<b>CREATED DATE: 1/17/2019</b>	<b>REVISION LEVEL: B</b>
<b>SAVED DATE: 10/7/2020</b>	<b>SAVED BY: scallahan</b>
<b>WEIGHT: 1527 LBS.</b>	<b>MATERIAL: NOTED</b>



**CONCAST**  
 1010 NORTH STAR DRIVE  
 P.O. BOX 69  
 ZUMBROTA, MN 55992-0069

<b>DESCRIPTION:</b>	
<b>HEAVY TRAFFIC UNIVERSAL</b>	
DIMENSIONS ARE IN INCHES TOLERANCES: FRACTIONAL: ± 1/8" ANGULAR: ± 2°	CONTACT INFORMATION: EMAIL: INFO@CONCASTINC.COM PHONE: (507) 732-4095 FAX: (507) 732-4094
<b>PART NUMBER:</b>	
<b>802636HT3 (24X24)</b>	
SHEET 1 OF 1	