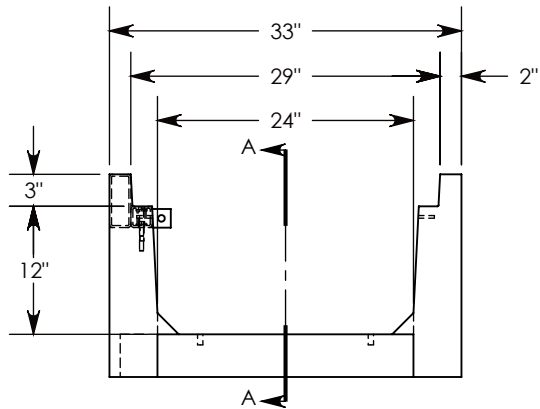
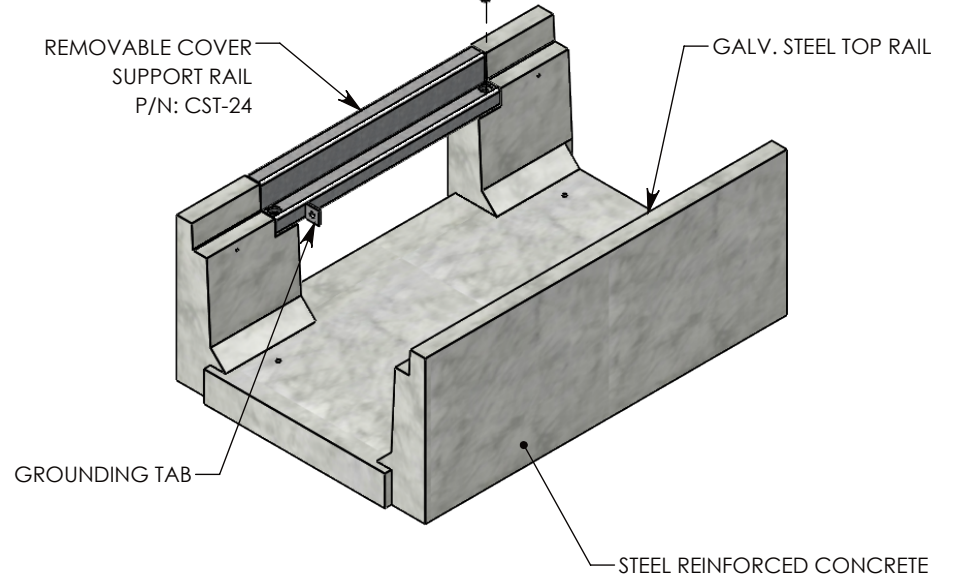


CST HIDDEN IN VIEW

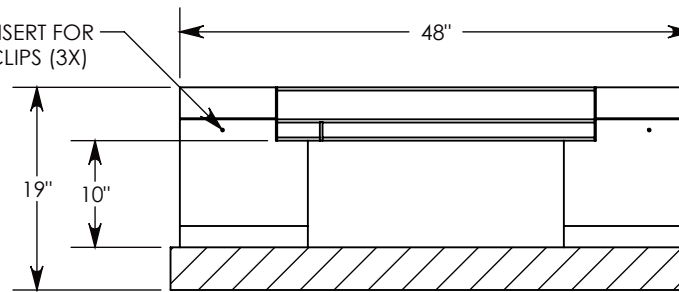
3/8-16 UNC X 2.50" LG HEX HD BOLT, GRADE 8
P/N: HHB.38-2.5G8 QTY: 2

3/8" STD WASHER - 1" OD
P/N: WSR.38-1 QTY: 2

REMOVABLE COVER
SUPPORT RAIL
P/N: CST-24



$\phi 1/4$ " INSERT FOR
CABLE CLIPS (3X)



SECTION A-A

AASHTO H-20 RATED - 32,000 LB. SINGLE AXLE LOAD

DRAWN BY: ROSS LAGER

CREATED DATE: 7/14/2008

REVISION LEVEL: A

SAVED DATE: 1/28/2020

SAVED BY: scallahan

WEIGHT:

886 LBS.

MATERIAL:

NOTED



1010 NORTH STAR DRIVE
P.O. BOX 69
ZUMBROTA, MN 55992-0069

DESCRIPTION:

HEAVY TRAFFIC UNIVERSAL CHANNEL

DIMENSIONS ARE IN INCHES

TOLERANCES:
FRACTIONAL: $\pm 1/8$ "
ANGULAR: $\pm 2^\circ$

CONTACT INFORMATION:

EMAIL: INFO@CONCASTINC.COM
PHONE: (507) 732-4095
FAX: (507) 732-4094

SHEET 1 OF 1

PART NUMBER:

8026HT3 (0X24)