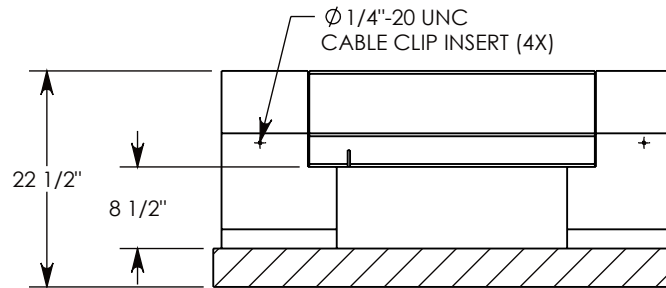
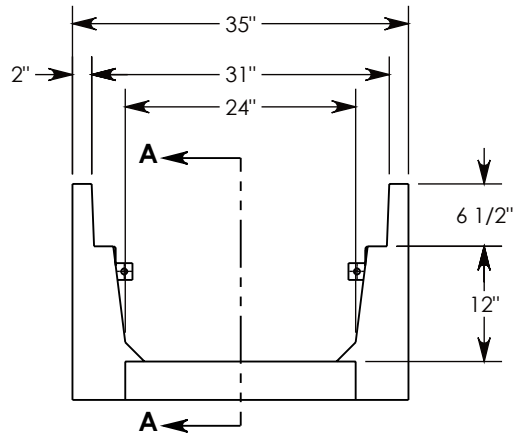
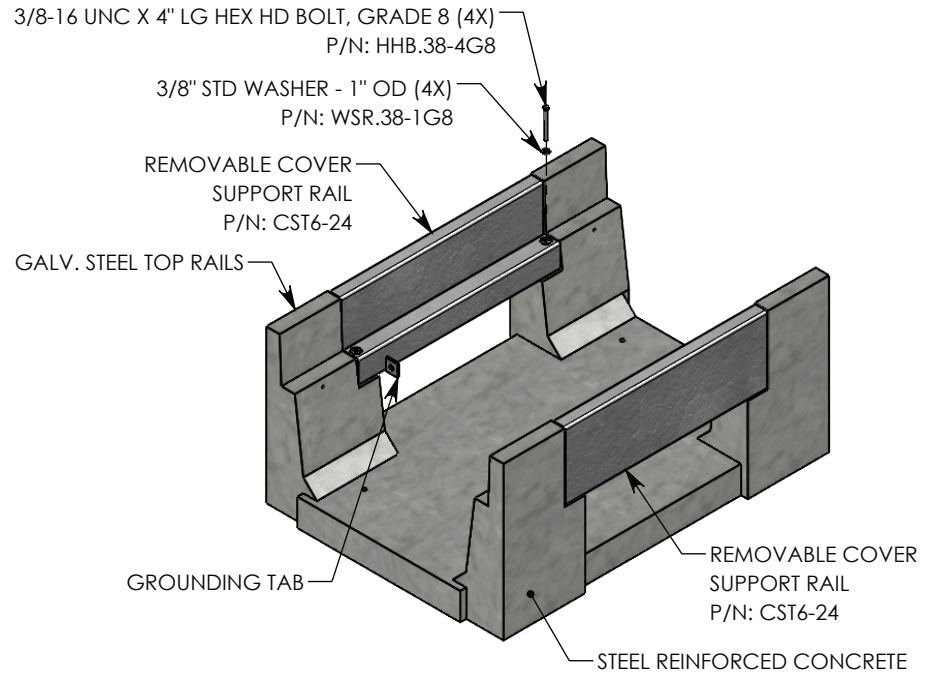
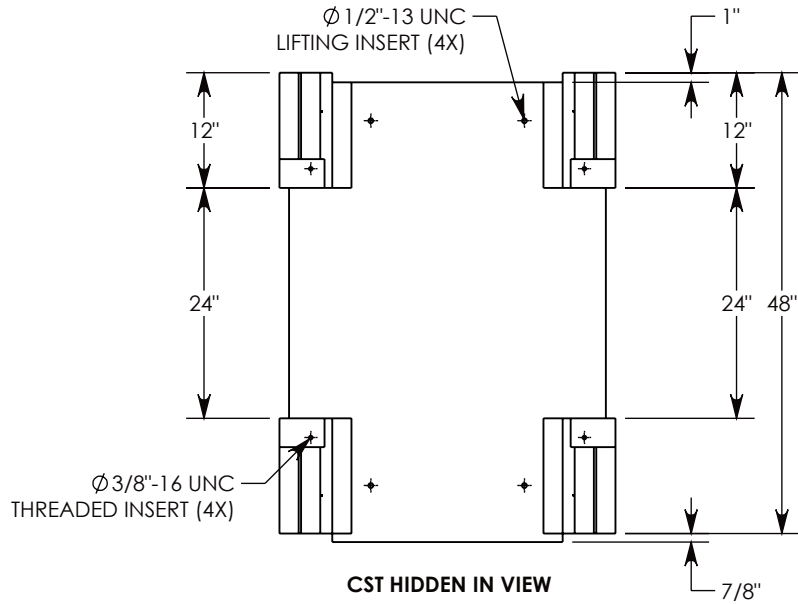


REV. A - DRB - 7/21/2023 - UPDATED TO USE COVER SUPPORT. RF-8/4/23 SECONDARY EDITS
 REV. B - SIC - 9/15/2023 - UPDATED ANNOTATIONS; ADDED MISSING DIMENSIONS; UPDATED WEIGHT RATING NOTE



SECTION A-A

MAX AASHTO H-40 RATED - 64,000 LB. SINGLE AXLE LOAD.
 DEPENDENT ON TRENCH COVER RATING

DRAWN BY: ROBIN LEWIS	
CREATED DATE: 7/14/2008	REVISION LEVEL: B
SAVED DATE: 9/15/2023	SAVED BY: rflint
WEIGHT: 920 LBS.	MATERIAL: NOTED

CONCAST
 1010 NORTH STAR DRIVE
 P.O. BOX 69
 ZUMBROTA, MN 55992-0069

DESCRIPTION:	
HEAVY TRAFFIC UNIVERSAL CHANNEL	
DIMENSIONS ARE IN INCHES TOLERANCES: FRACTIONAL: ± 1/8" ANGULAR: ± 2°	CONTACT INFORMATION: EMAIL: INFO@CONCASTINC.COM PHONE: (507) 732-4095 FAX: (507) 732-4094
PART NUMBER:	
8026HT (24X24)	
SHEET 1 OF 1	