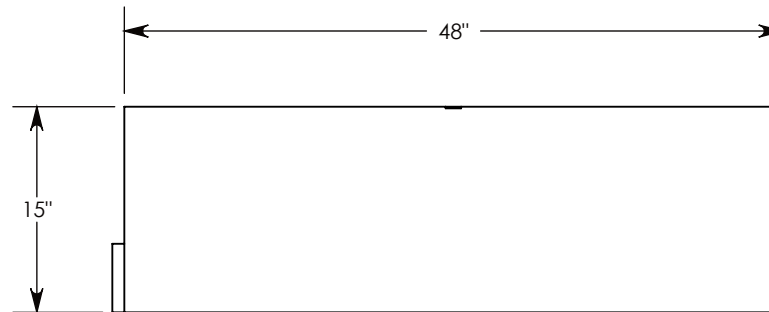
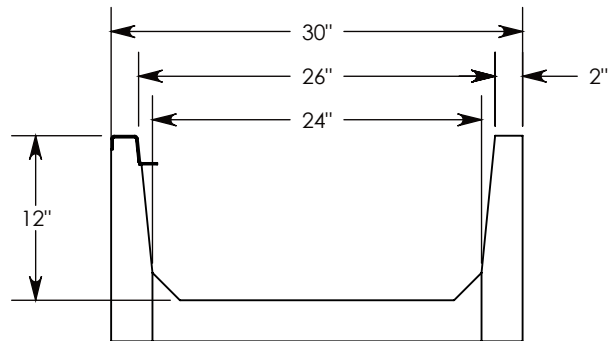
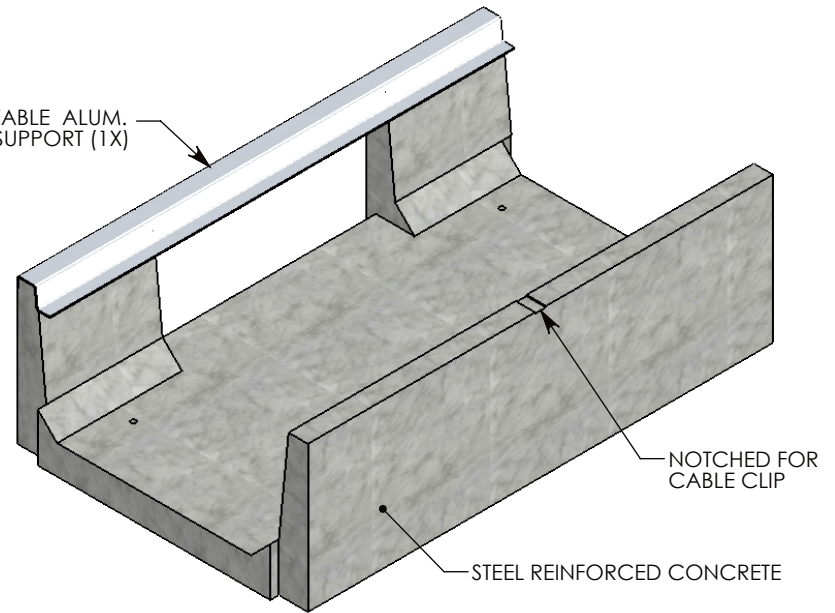


REMOVEABLE ALUM.
COVER SUPPORT (1X)



PEDESTRIAN RATED - 200 LB. PER SQ. FOOT

DRAWN BY: ROBIN FLINT

CREATED DATE: 3/11/2002 **REVISION LEVEL:** A

SAVED DATE: 9/9/2019 **SAVED BY:** scallahan

WEIGHT: 543 LBS. **MATERIAL:** CONCRETE

1010 NORTH STAR DRIVE
P.O. BOX 69
ZUMBROTA, MN 55992-0069

DESCRIPTION:
PEDESTRIAN UNIVERSAL CHANNEL

DIMENSIONS ARE IN INCHES
TOLERANCES:
FRACTIONAL: ± 1/8"
ANGULAR: ± 2°

CONTACT INFORMATION:
EMAIL: INFO@CONCASTINC.COM
PHONE: (507) 732-4095
FAX: (507) 732-4094

SHEET 1 OF 1

PART NUMBER:
8026PT (0X24)