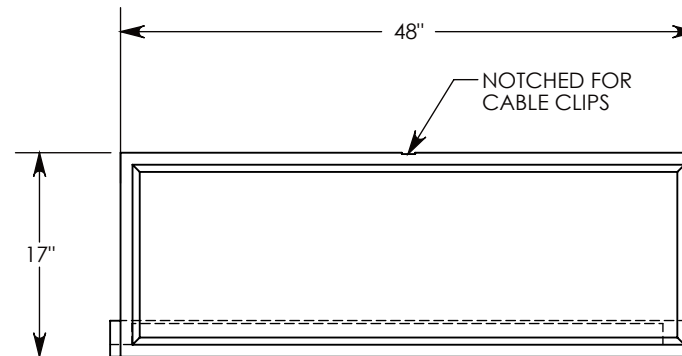
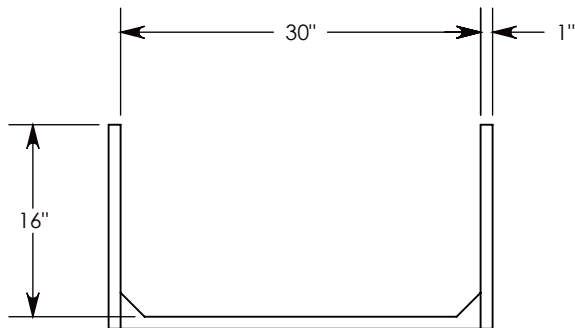
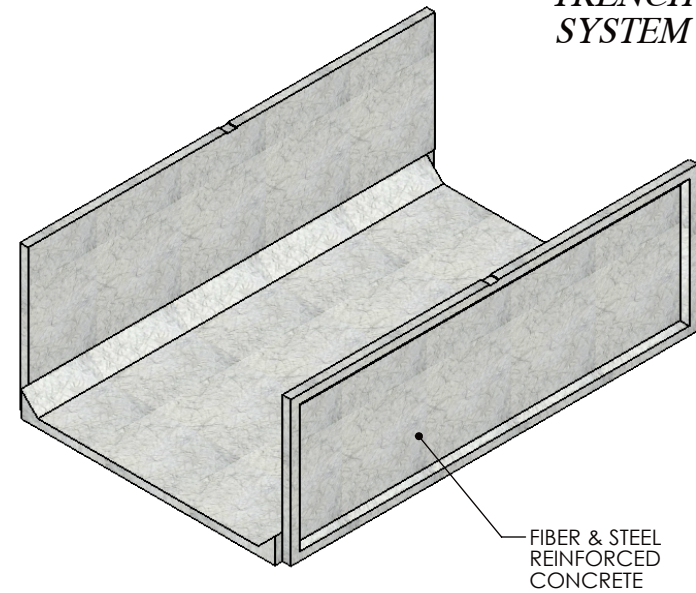
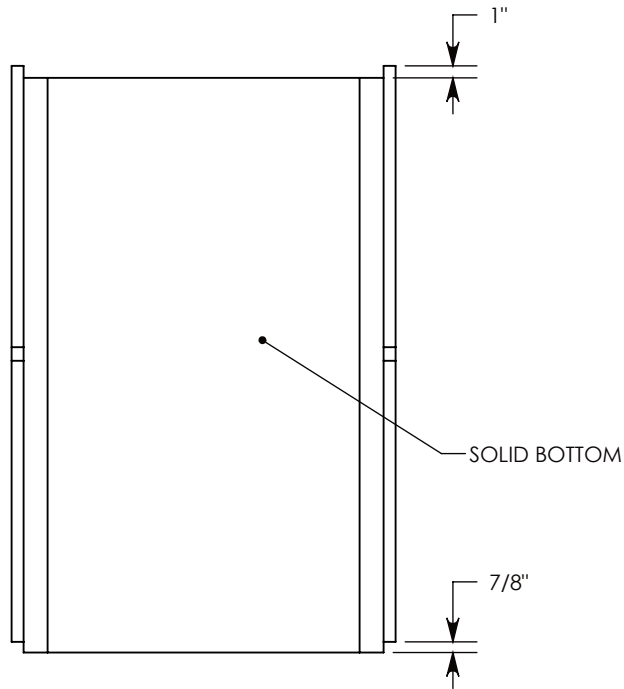


**FIBERCRETE<sup>®</sup>**  
**TRENCH**  
**SYSTEM**



NOTE: FOR NON-STANDARD LENGTHS THE CHANNEL WILL BE DESIGNATED WITH ITS CORRESPONDING LENGTH MEASUREMENT. IE: 803016SB 32"

PEDESTRIAN RATED - 200 LB. PER SQ. FOOT

<b>DRAWN BY: ROBIN FLINT</b>		 1010 NORTH STAR DRIVE P.O. BOX 69 ZUMBROTA, MN 55992-0069	<b>DESCRIPTION:</b>	
<b>DATE: 2/17/2017</b>	<b>REVISION LEVEL: 0</b>		<b>PEDESTRIAN CHANNEL</b>	
<b>WEIGHT:</b> 124 LBS.	<b>MATERIAL:</b> NOTED		DIMENSIONS ARE IN INCHES TOLERANCES: FRACTIONAL: ± 1/8" ANGULAR: ± 2°	CONTACT INFORMATION: EMAIL: INFO@CONCASTINC.COM PHONE: (507) 732-4095 FAX: (507) 732-4094
		<b>PART NUMBER:</b> 803016SB		