

REV. A - RAL - 2/8/18 - ADDED RECESS AND THRU HOLE

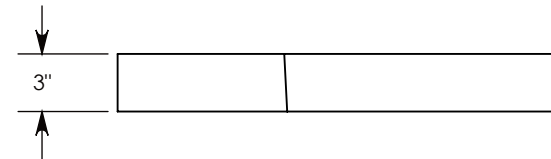
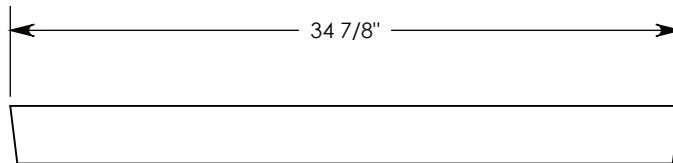
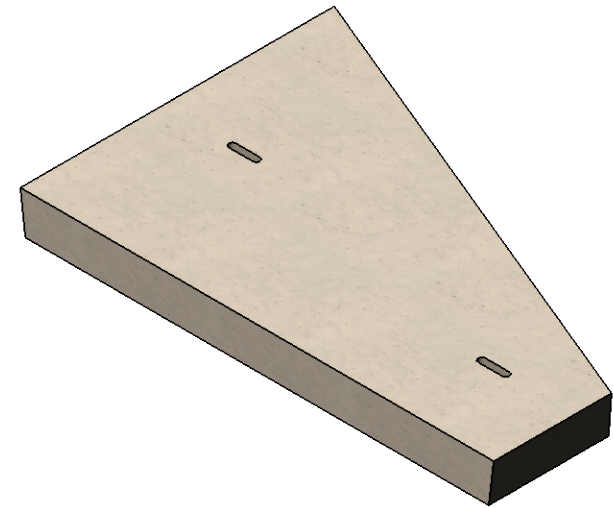
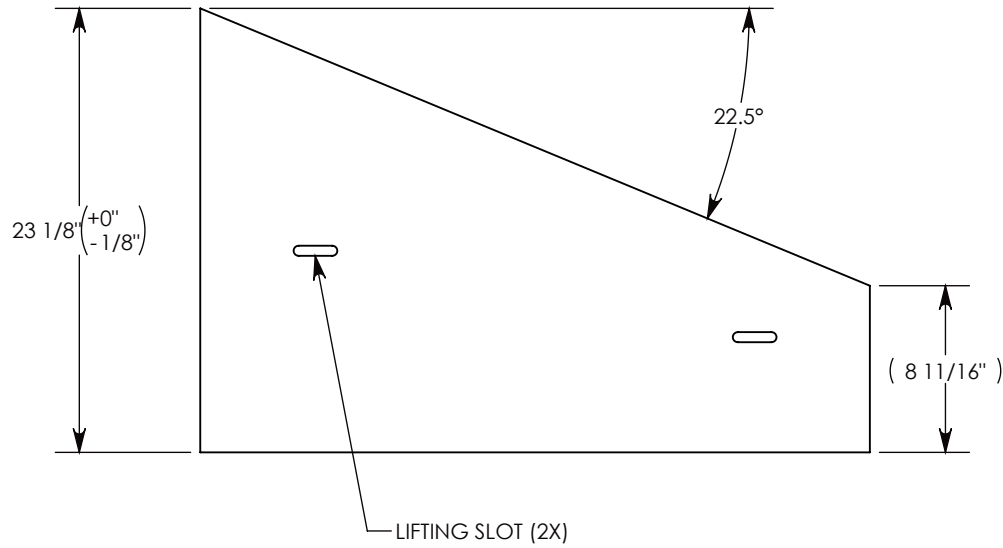
REV. B - RAL - 2/27/18 - UPDATED LENGTH TO 23.125"

REV. C - 10/2/18 - RAL - UPDATED WEIGHT

REV. D - SIC - 11/24/2020 - UPDATED ANNOTATIONS; UPDATED LIFTING INSERT TO  $\phi 1/2$ "-13, WAS  $\phi 3/8$ "-16

REV. E - SIC - 7/27/2021 - CHANGED LIFTING INSERTS TO LIFTING SLOTS; UPDATED MATERIAL TO POLYMER, WAS POLYMER CONCRETE; UPDATED WEIGHT TO 119 LBS, WAS 114 LBS

COVER ASSEMBLES ONTO 30" INSIDE WIDTH  
HEAVY TRAFFIC RATED CONCAST HT3 CHANNEL



AASHTO H-20 RATED – 32,000 LB. SINGLE AXLE LOAD

DRAWN BY: **ROBIN FLINT**

CREATED DATE: **8/22/2002** REVISION LEVEL: **E**

SAVED DATE: **8/20/2021** SAVED BY: **jgutting**

WEIGHT: **118 LBS.** MATERIAL: **POLYMER**

**CONCAST**  
 1010 NORTH STAR DRIVE  
 P.O. BOX 69  
 ZUMBROTA, MN 55992-0069

DESCRIPTION:  
**HEAVY TRAFFIC COVER**

DIMENSIONS ARE IN INCHES  
TOLERANCES:  
FRACTIONAL:  $\pm 1/8''$   
ANGULAR:  $\pm 2^\circ$

CONTACT INFORMATION:  
EMAIL: [INFO@CONCASTINC.COM](mailto:INFO@CONCASTINC.COM)  
PHONE: (507) 732-4095  
FAX: (507) 732-4094

SHEET 1 OF 1

PART NUMBER:  
**8031HT3P 22.5R**