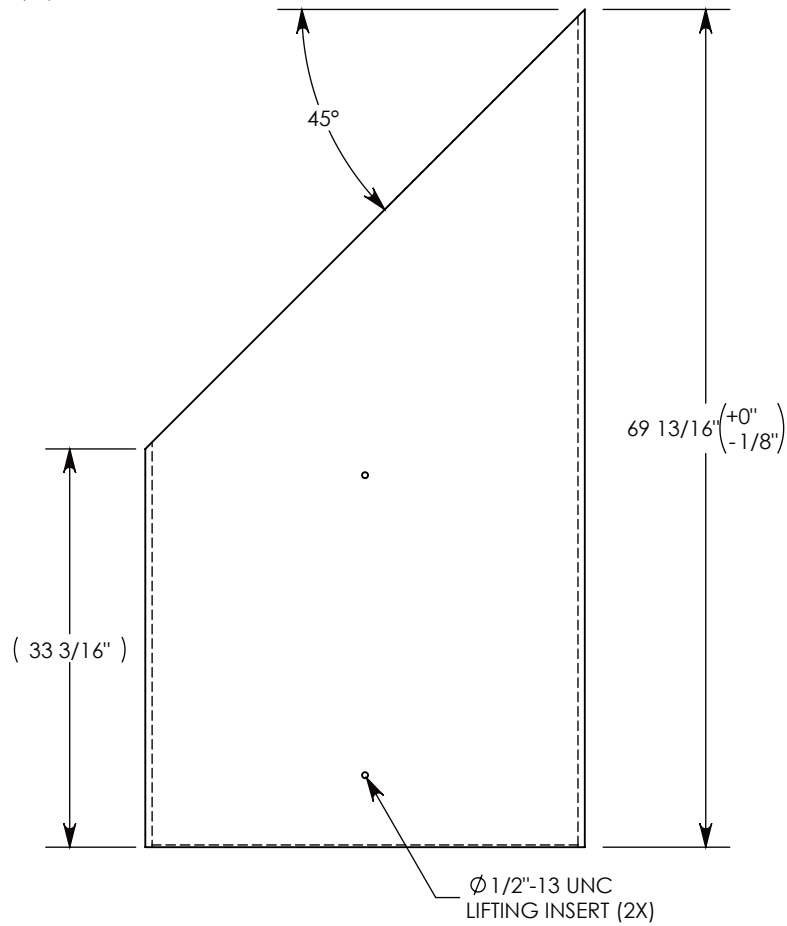
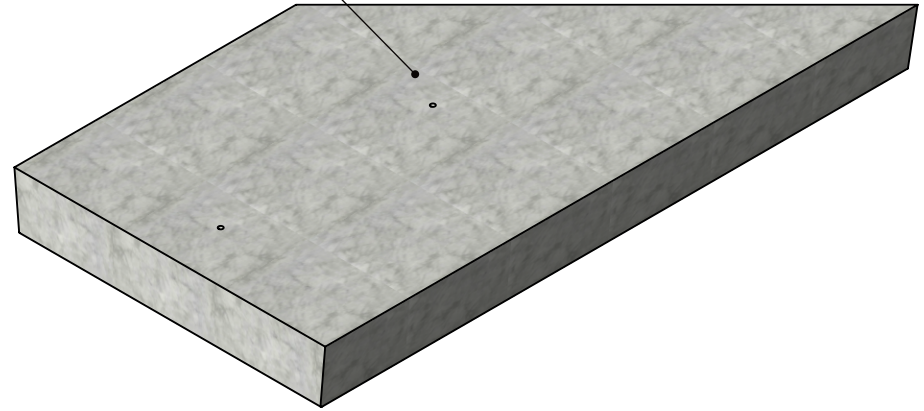


REV A: TCJ - 7/10/2017 - UPDATED COVER TO MATCH CHANNEL
 REV B: RAL - 5/30/2018 - UPDATED TRAFFIC RATING

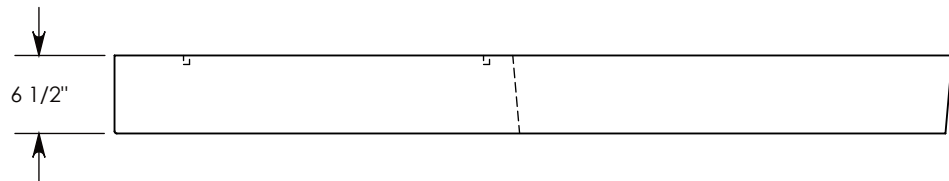
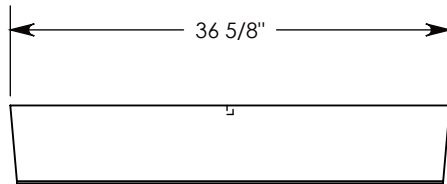
FIBERCRETE[®]
TRENCH
SYSTEM



STEEL REINFORCED CONCRETE



COVER ASSEMBLES ONTO 30" INSIDE WIDTH
 HEAVY TRAFFIC RATED CONCAST HT CHANNEL.



H-40 RATED - 64,000 LB. PER AXLE LOAD.

DRAWN BY: ROBIN FLINT

DATE: 5/30/2018

REVISION LEVEL: B

WEIGHT:

988 LBS.

MATERIAL:

CONCRETE

CONCAST
 1010 NORTH STAR DRIVE
 P.O. BOX 69
 ZUMBROTA, MN 55992-0069

DESCRIPTION:

HEAVY TRAFFIC COVER - 45 DEG. ANGLE

DIMENSIONS ARE IN INCHES
 TOLERANCES:
 FRACTIONAL: ± 1/8"
 ANGULAR: ± 2°

CONTACT INFORMATION:
 EMAIL: INFO@CONCASTINC.COM
 PHONE: (507) 732-4095
 FAX: (507) 732-4094

SHEET 1 OF 1

PART NUMBER:

8031HT 45L