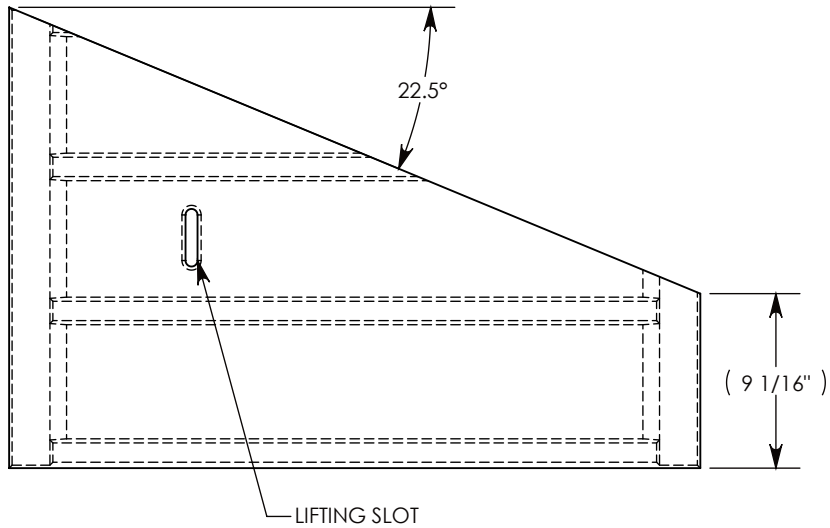
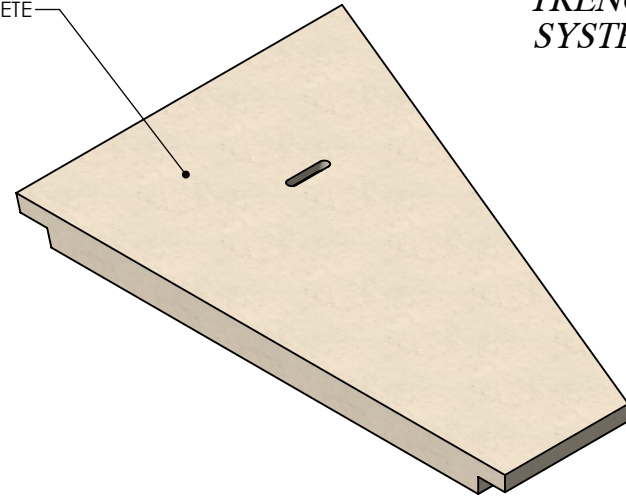


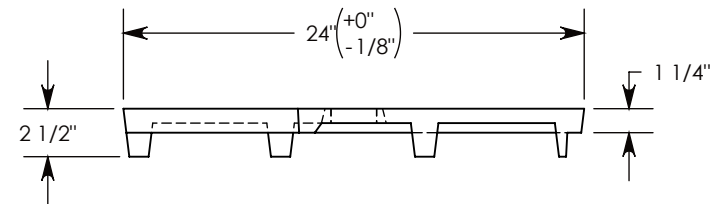
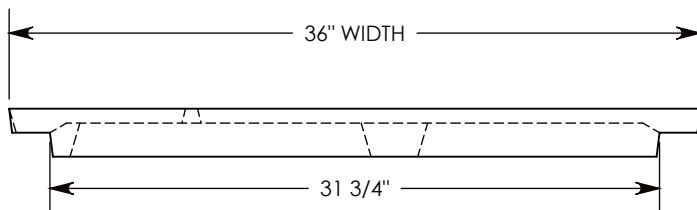
**FIBERCRETE<sup>®</sup>**  
**TRENCH**  
**SYSTEM**



POLYMER CONCRETE



COVER ASSEMBLES ONTO 30" INSIDE WIDTH  
 PEDESTRIAN RATED **PT** CONCAST CHANNEL.



**NOTE 1:** FOR NON-STANDARD LENGTHS, THE PART NUMBER WILL CORRESPOND TO IT'S MEASURED LENGTH. IE: 8031PTP 22.5R 18"

PEDESTRIAN RATED - 200 LB. PER SQ. FOOT

**DRAWN BY: ROBIN FLINT**

**DATE: 10/4/2018**

**REVISION LEVEL: 0**

**WEIGHT:**

**45 LBS.**

**MATERIAL:**

**POLYMER CONCRETE**



1010 NORTH STAR DRIVE  
 P.O. BOX 69  
 ZUMBROTA, MN 55992-0069

**DESCRIPTION:**

**PED. POLYMER COVER 22.5 DEG. ANGLE**

DIMENSIONS ARE IN INCHES  
 TOLERANCES:  
 FRACTIONAL: ± 1/8"  
 ANGULAR: ± 2°

CONTACT INFORMATION:  
 EMAIL: INFO@CONCASTINC.COM  
 PHONE: (507) 732-4095  
 FAX: (507) 732-4094

SHEET 1 OF 1

**PART NUMBER:**

**8031PTP 22.5R**