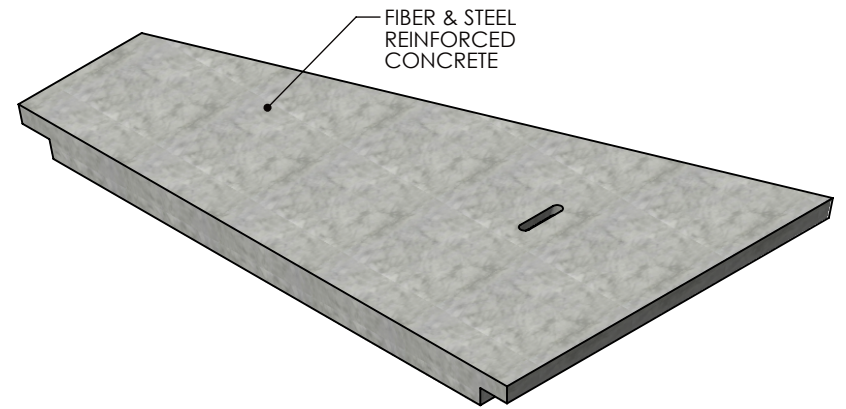
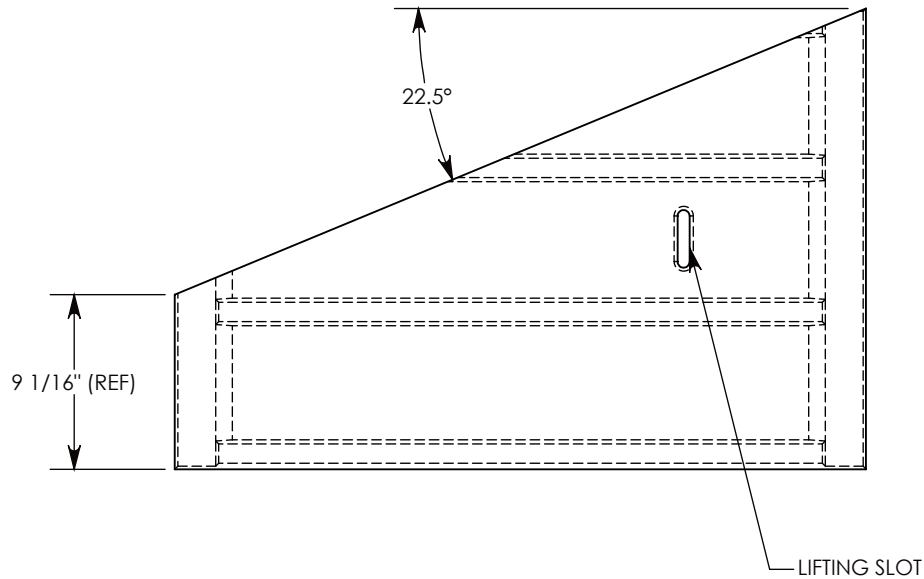
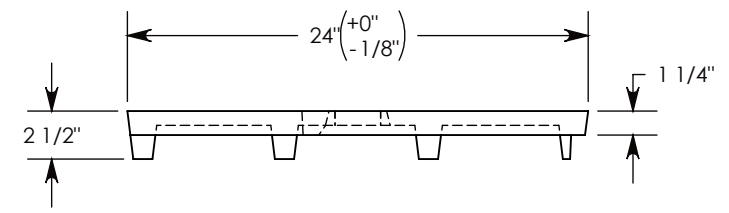
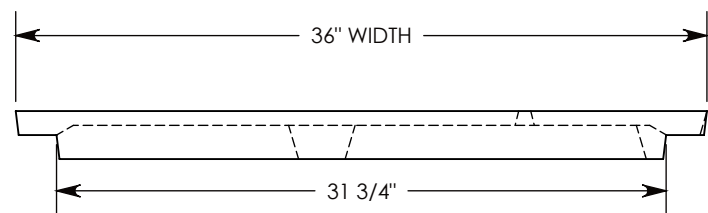


FIBERCRETE[®]
TRENCH
SYSTEM



COVER ASSEMBLES ONTO 30" INSIDE WIDTH PEDESTRIAN RATED **PT** CONCAST CHANNEL.



NOTE 1: FOR NON-STANDARD LENGTHS, THE PART NUMBER WILL CORRESPOND TO IT'S MEASURED LENGTH. IE: 8031PT 22.5L 18"

PEDESTRIAN RATED - 200 LB. PER SQ. FOOT

DRAWN BY: ROBIN FLINT	
DATE: 10/7/2015	REVISION LEVEL: 0
WEIGHT: 49 LBS.	MATERIAL: CAST FIBERCRETE

CONCAST
 1010 NORTH STAR DRIVE
 P.O. BOX 69
 ZUMBROTA, MN 55992-0069

DESCRIPTION: PEDESTRIAN FC COVER 22.5 DEG. ANGLE		
DIMENSIONS ARE IN INCHES TOLERANCES: FRACTIONAL: ± 1/8" ANGULAR: ± 2°	CONTACT INFORMATION: EMAIL: INFO@CONCASTINC.COM PHONE: (507) 732-4095 FAX: (507) 732-4094	SHEET 1 OF 1
PART NUMBER: 8031PT 22.5L		