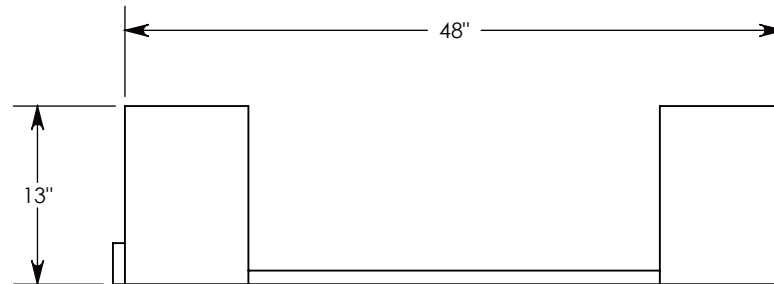
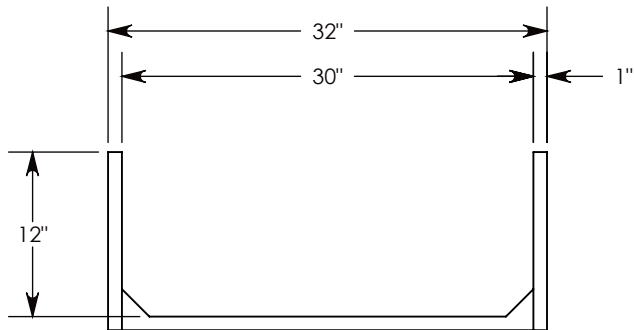
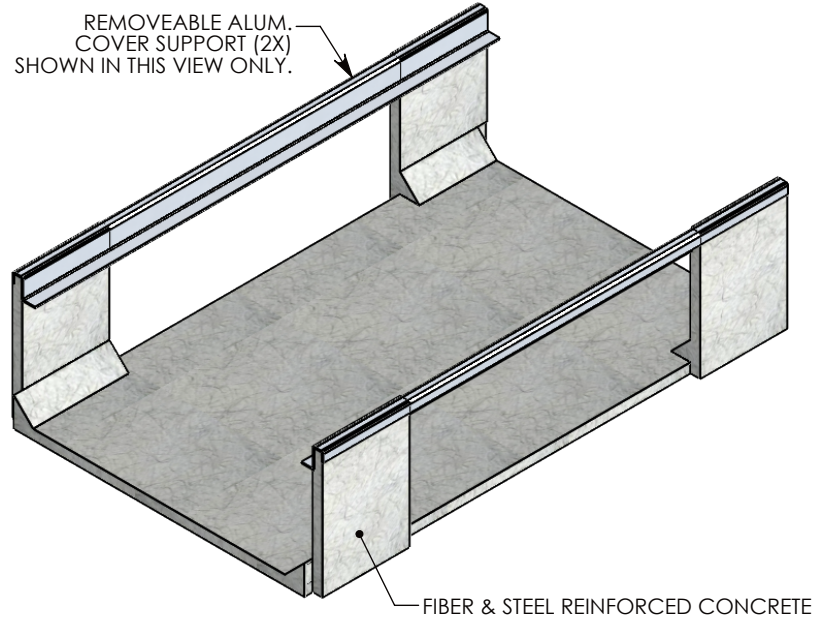
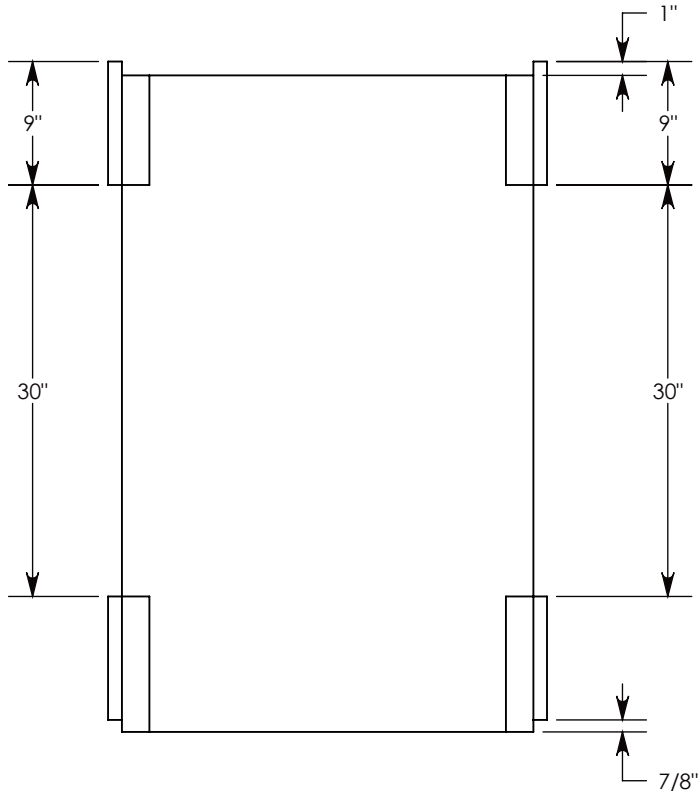


FIBERCRETE[®]
TRENCH
SYSTEM



PEDESTRIAN RATED - 200 LB. PER SQ. FOOT

DRAWN BY: ROBIN LEWIS	
CREATED DATE: 3/11/2002	REVISION LEVEL: A
SAVED DATE: 6/3/2020	SAVED BY: scallahan
WEIGHT: 146 LBS.	MATERIAL: FIBERCRETE



CONCAST
 1010 NORTH STAR DRIVE
 P.O. BOX 69
 ZUMBROTA, MN 55992-0069

DESCRIPTION: PEDESTRIAN UNIVERSAL CHANNEL		
DIMENSIONS ARE IN INCHES TOLERANCES: FRACTIONAL: ± 1/8" ANGULAR: ± 2°	CONTACT INFORMATION: EMAIL: INFO@CONCASTINC.COM PHONE: (507) 732-4095 FAX: (507) 732-4094	SHEET 1 OF 1
PART NUMBER: 8032 (30X30)		