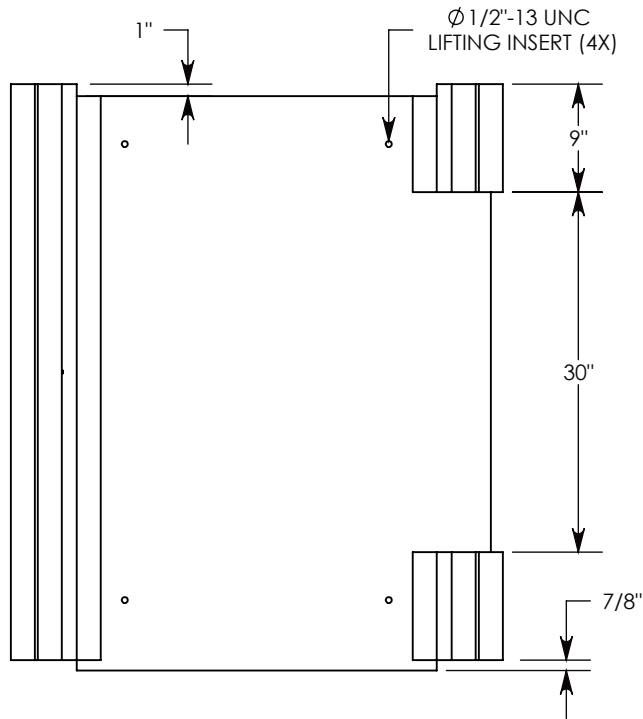
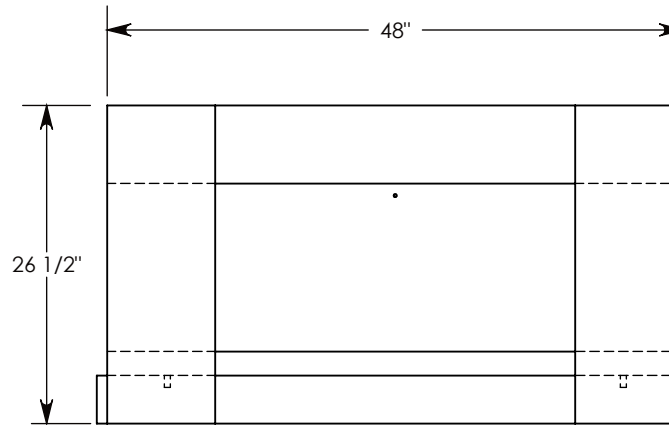
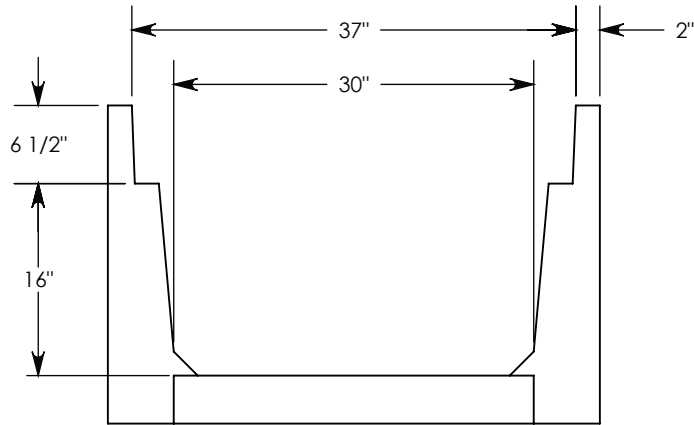
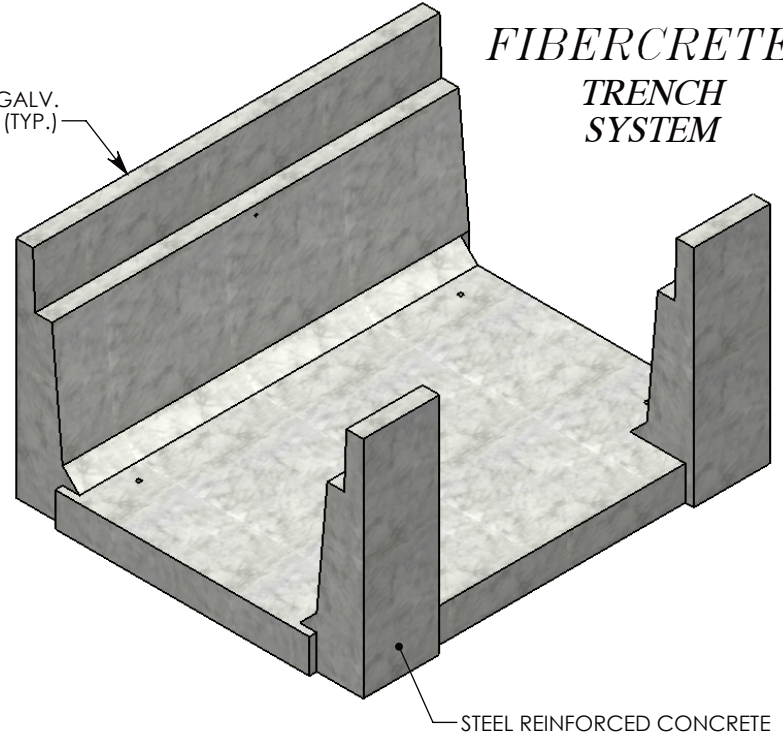


**FIBERCRETE<sup>®</sup>**  
**TRENCH**  
**SYSTEM**



1 7/8" X 1 7/8" GALV. STEEL TOP RAIL (TYP.)



H-20 RATED - 32,000 LB. PER AXLE LOAD

**DRAWN BY: ROBIN LEWIS**

**DATE: 7/8/2011**

**REVISION LEVEL: 0**

**WEIGHT:**

**1147 LBS.**

**MATERIAL:**

**CONCRETE**



1010 NORTH STAR DRIVE  
 P.O. BOX 69  
 ZUMBROTA, MN 55992-0069

**DESCRIPTION:**

**HEAVY TRAFFIC UNIVERSAL CHANNEL**

DIMENSIONS ARE IN INCHES  
 TOLERANCES:  
 FRACTIONAL: ± 1/8"  
 ANGULAR: ± 2°

CONTACT INFORMATION:  
 EMAIL: INFO@CONCASTINC.COM  
 PHONE: (507) 732-4095  
 FAX: (507) 732-4094

SHEET 1 OF 1

**PART NUMBER:**

**803216HT (30X0)**