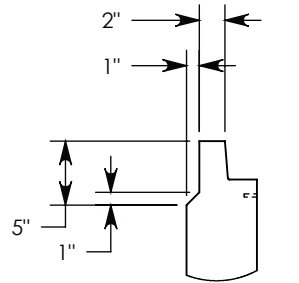
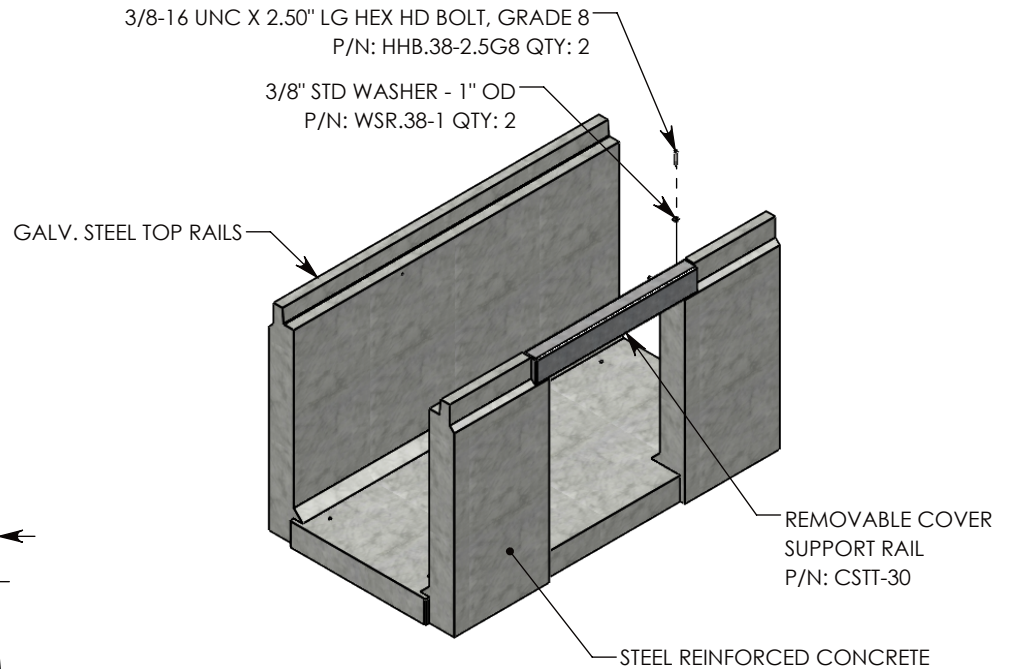
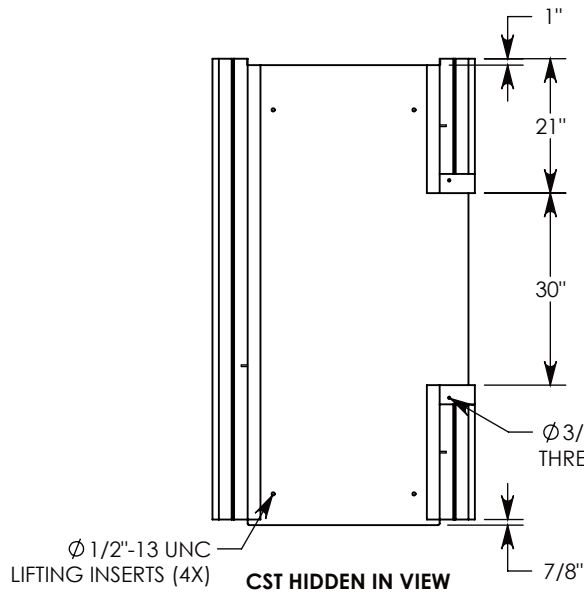
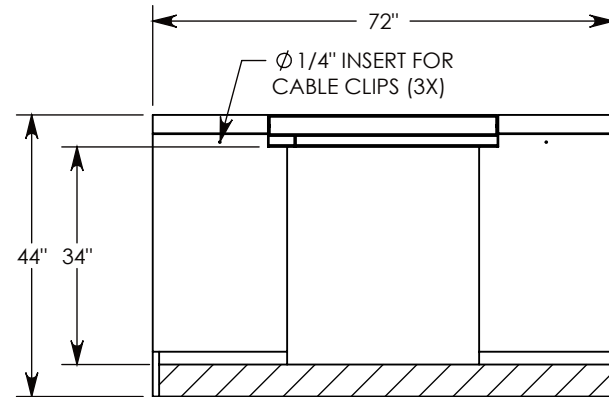
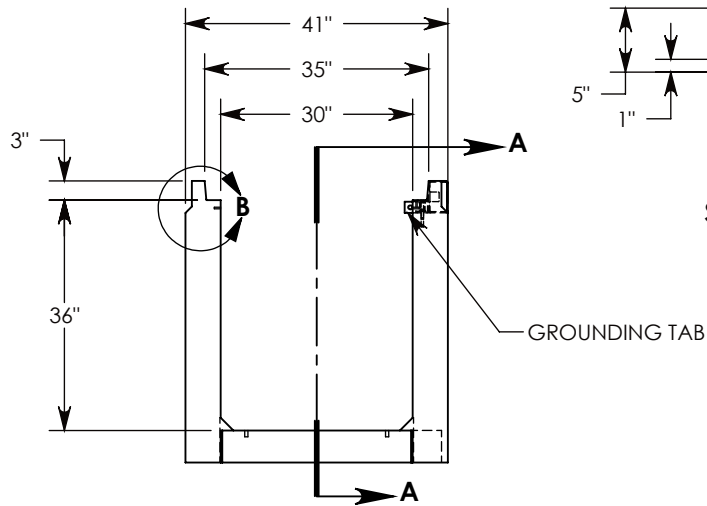


REV. A - SIC - 8/23/2019 - ADDED CABLE CLIP INSERTS; UPDATED VIEWS AND ANNOTATIONS

REV. B - SIC - 10/7/2020 - ADDED TOP RAIL REDUCTION FEATURE TO CHANGE TOP RAIL TO 2", WAS 3"; REPLACED RIGHT VIEW WITH SECTION A-A; ADDED DETAIL B; REVISED CSTT DESIGN



DETAIL B  
SCALE 1 : 15



SECTION A-A

AASHTO H-20 RATED - 32,000 LB. SINGLE AXLE LOAD

<b>DRAWN BY: ROSS LAGER</b>	
<b>CREATED DATE: 1/17/2019</b>	<b>REVISION LEVEL: B</b>
<b>SAVED DATE: 10/7/2020</b>	<b>SAVED BY: scallahan</b>
<b>WEIGHT: 3142 LBS.</b>	<b>MATERIAL: NOTED</b>

1010 NORTH STAR DRIVE  
P.O. BOX 69  
ZUMBROTA, MN 55992-0069

<b>DESCRIPTION:</b> <b>HEAVY TRAFFIC UNIVERSAL</b>		SHEET 1 OF 1
DIMENSIONS ARE IN INCHES TOLERANCES: FRACTIONAL: ± 1/8" ANGULAR: ± 2°	CONTACT INFORMATION: EMAIL: INFO@CONCASTINC.COM PHONE: (507) 732-4095 FAX: (507) 732-4094	
<b>PART NUMBER:</b> <b>803236HT3 (30X0)</b>		