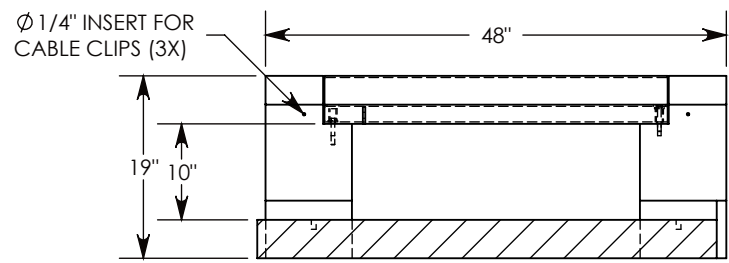
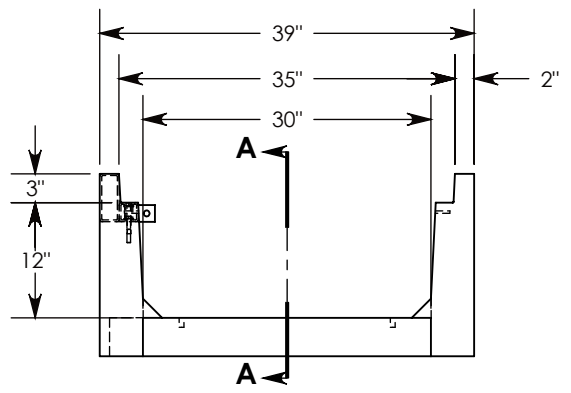


CST HIDDEN IN VIEW



SECTION A-A

AASHTO H-20 RATED – 32,000 LB. SINGLE AXLE LOAD

DRAWN BY: ROSS LAGER	
CREATED DATE: 7/14/2008	REVISION LEVEL: B
SAVED DATE: 1/28/2020	SAVED BY: scallahan
WEIGHT: 955 LBS.	MATERIAL: NOTED



CONCAST
 1010 NORTH STAR DRIVE
 P.O. BOX 69
 ZUMBROTA, MN 55992-0069

DESCRIPTION: HEAVY TRAFFIC UNIVERSAL CHANNEL	
DIMENSIONS ARE IN INCHES TOLERANCES: FRACTIONAL: ± 1/8" ANGULAR: ± 2°	CONTACT INFORMATION: EMAIL: INFO@CONCASTINC.COM PHONE: (507) 732-4095 FAX: (507) 732-4094
PART NUMBER: 8032HT3 (0X30)	
SHEET 1 OF 1	