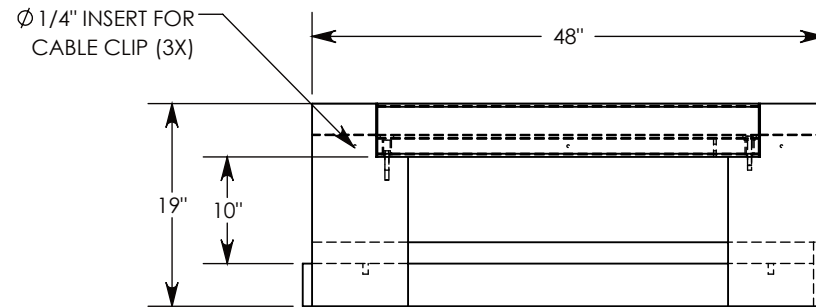
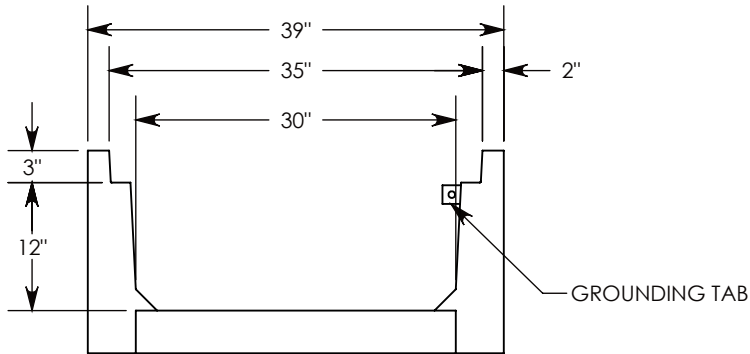
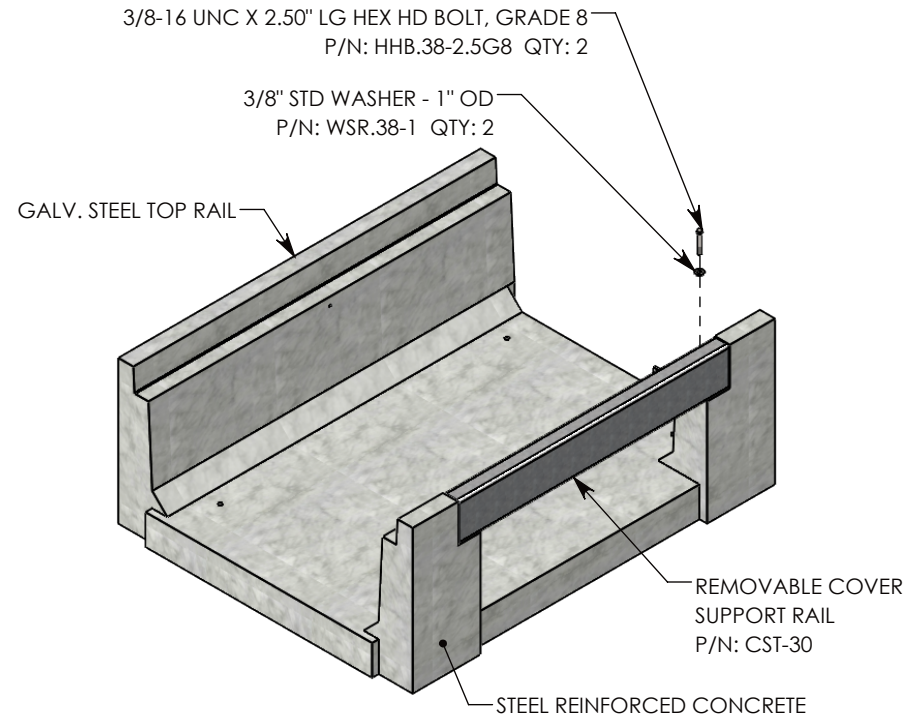
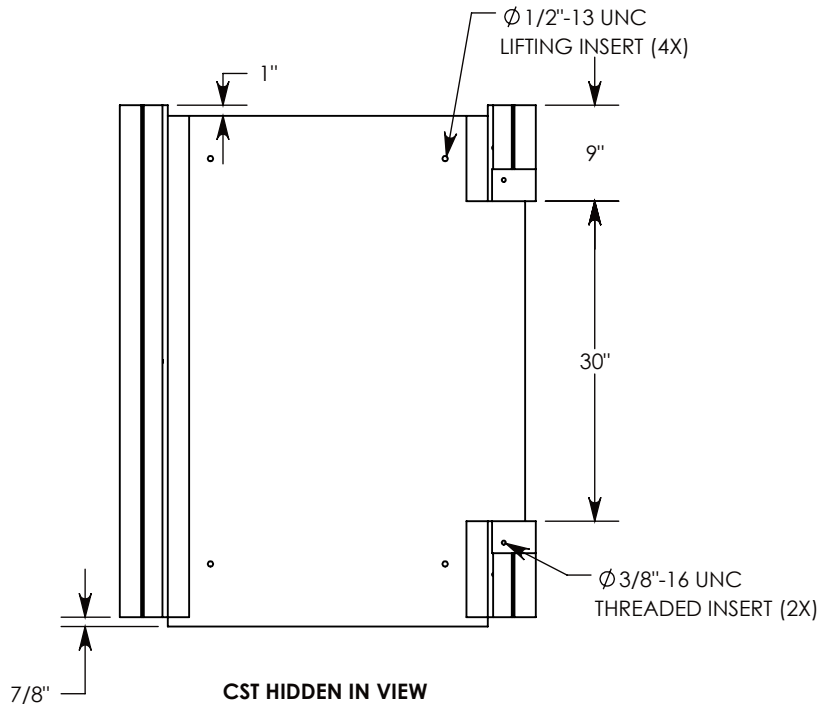


REV: A - TCJ - 4/10/2018 - UPDATED COVER SUPPORT RAILS  
 REV: B - RAL - 7/18/2019 - ADDED CABLE CLIP INSERTS



AASHTO H-20 RATED - 32,000 LB. SINGLE AXLE LOAD

<b>DRAWN BY:</b> ROSS LAGER	
<b>CREATED DATE:</b> 7/14/2008	<b>REVISION LEVEL:</b> B
<b>SAVED DATE:</b> 1/28/2020	<b>SAVED BY:</b> scallahan
<b>WEIGHT:</b> 955 LBS.	<b>MATERIAL:</b> NOTED



**CONCAST**  
 1010 NORTH STAR DRIVE  
 P.O. BOX 69  
 ZUMBROTA, MN 55992-0069

<b>DESCRIPTION:</b> <b>HEAVY TRAFFIC UNIVERSAL CHANNEL</b>		SHEET 1 OF 1
DIMENSIONS ARE IN INCHES TOLERANCES: FRACTIONAL: $\pm 1/8$ " ANGULAR: $\pm 2^\circ$	CONTACT INFORMATION: EMAIL: INFO@CONCASTINC.COM PHONE: (507) 732-4095 FAX: (507) 732-4094	
<b>PART NUMBER:</b> <b>8032HT3 (30X0)</b>		