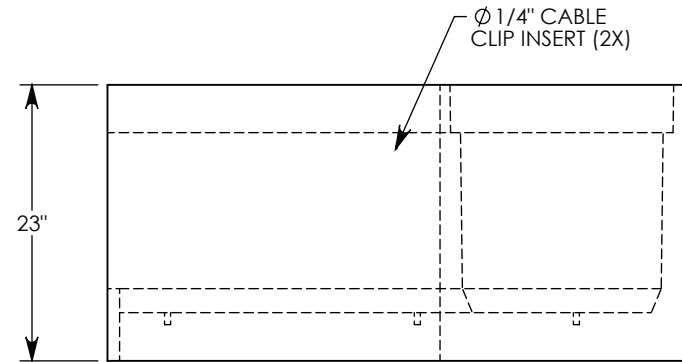
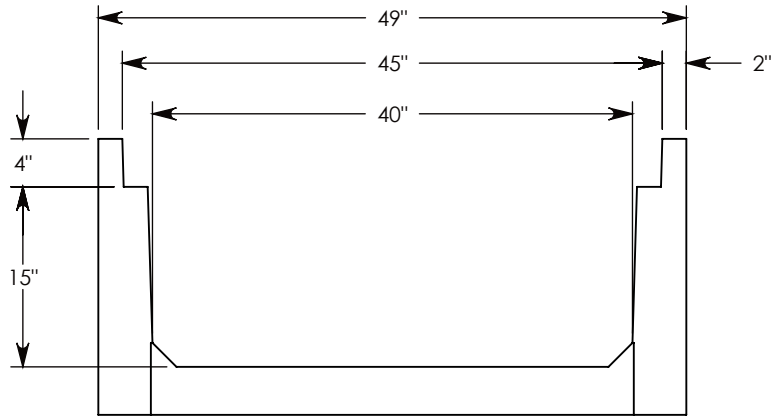
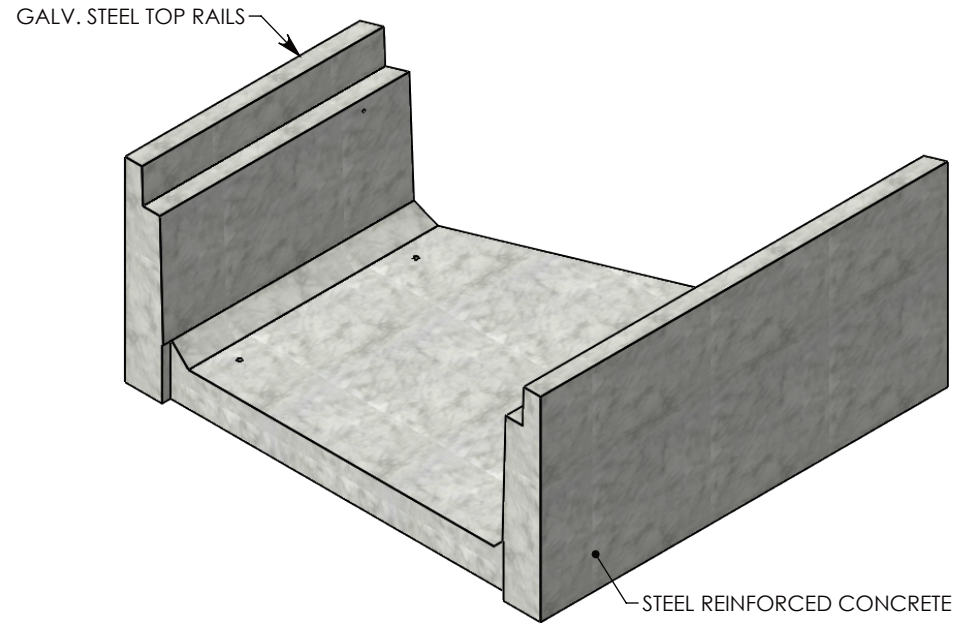
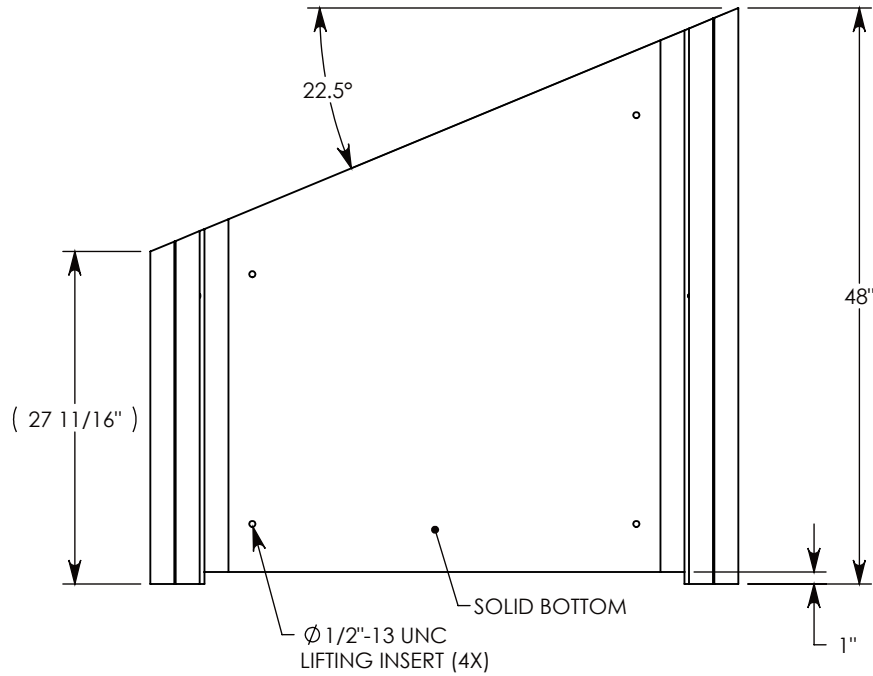


REV. A - SIC - 2/3/2020 - UPDATED LIFTING INSERT PATTERN

REV. B - SIC - 7/16/2020 - UPDATED WEIGHT RATING TO MAX H-40, WAS H-20; ADDED SOIL BEARING PRESSURES



MAX AASHTO H-40 RATED - 64,000 LB. SINGLE AXLE LOAD
 DEPENDENT ON TRENCH COVER RATING
 MINIMUM ALLOWABLE SOIL BEARING PRESSURE - H-40: 3,000 PSF; H-20: 3,000 PSF

DRAWN BY: ROBIN FLINT

CREATED DATE: 3/21/2011 **REVISION LEVEL: B**

SAVED DATE: 7/16/2020 **SAVED BY: scallahan**

WEIGHT: 1061 LBS. **MATERIAL: CONCRETE**

CONCAST
 1010 NORTH STAR DRIVE
 P.O. BOX 69
 ZUMBROTA, MN 55992-0069

DESCRIPTION:
HT CHANNEL; 22.5 DEG. ANGLE

DIMENSIONS ARE IN INCHES
 TOLERANCES:
 FRACTIONAL: ± 1/8"
 ANGULAR: ± 2°

CONTACT INFORMATION:
 EMAIL: INFO@CONCASTINC.COM
 PHONE: (507) 732-4095
 FAX: (507) 732-4094

SHEET 1 OF 1

PART NUMBER:
804016HT4 22.5L