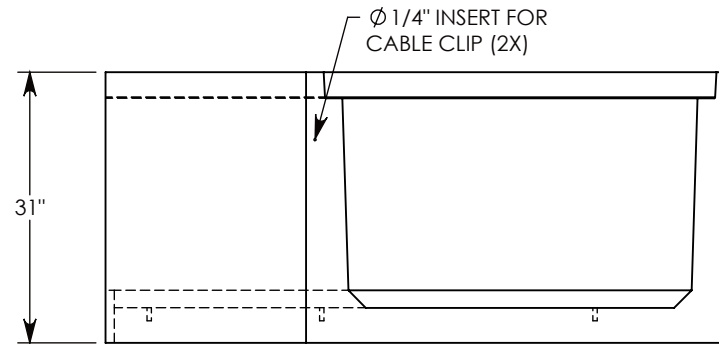
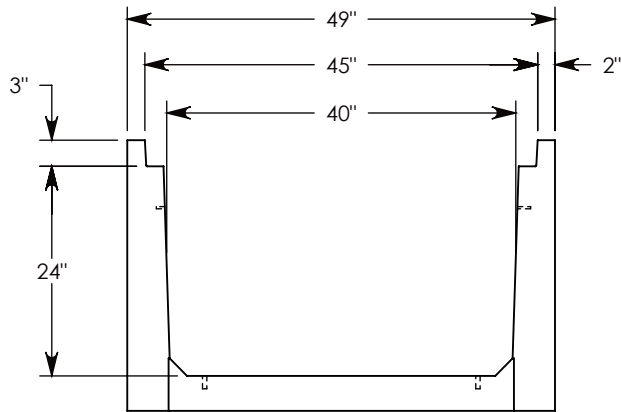
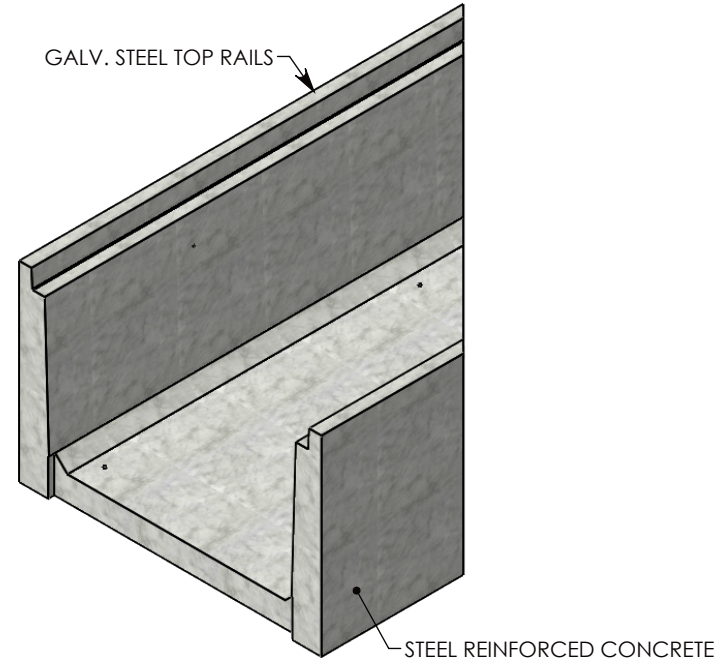
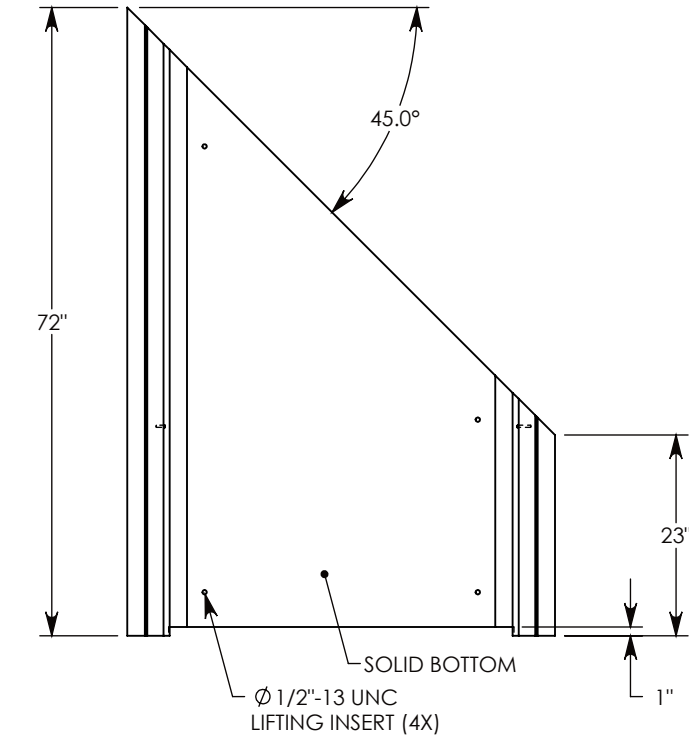


REV. A - SIC - 10/17/2019 - 1/2"-13 UNC LIFTING INSERT QTY: 4, WAS QTY: 3
 REV. B - SIC - 6/29/2020 - UPDATED ANNOTATIONS; UPDATED WEIGHT RATING NOTE; ADDED SOIL BEARING PRESSURES



AASHTO H-20 RATED - 32,000 LB. SINGLE AXLE LOAD
 MINIMUM ALLOWABLE SOIL BEARING PRESSURE - 3,000 PSF

DRAWN BY: ROBIN FLINT	
CREATED DATE: 3/21/2011	REVISION LEVEL: B
SAVED DATE: 6/29/2020	SAVED BY: scallahan
WEIGHT: 1659 LBS.	MATERIAL: CONCRETE



1010 NORTH STAR DRIVE
 P.O. BOX 69
 ZUMBROTA, MN 55992-0069

DESCRIPTION:		SHEET 1 OF 1
HT CHANNEL; 45 DEG. ANGLE		
DIMENSIONS ARE IN INCHES	CONTACT INFORMATION:	
TOLERANCES:	EMAIL: INFO@CONCASTINC.COM	
FRACTIONAL: ± 1/8"	PHONE: (507) 732-4095	
ANGULAR: ± 2°	FAX: (507) 732-4094	
PART NUMBER:		
804024HT3 45R		