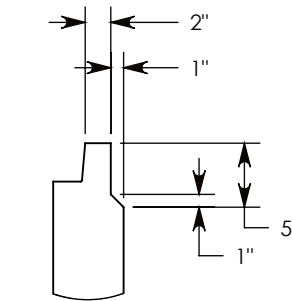
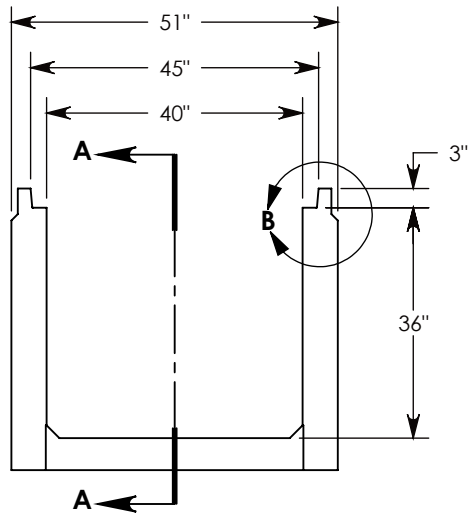
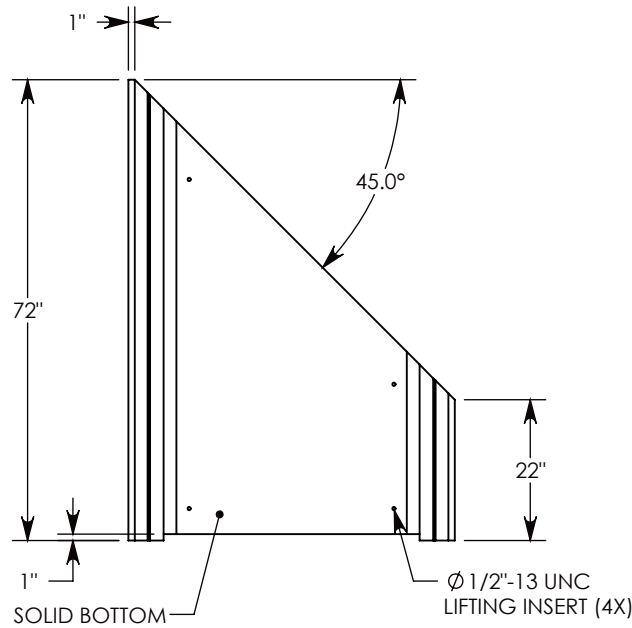


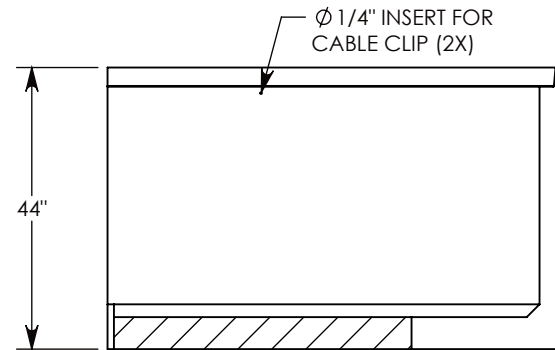
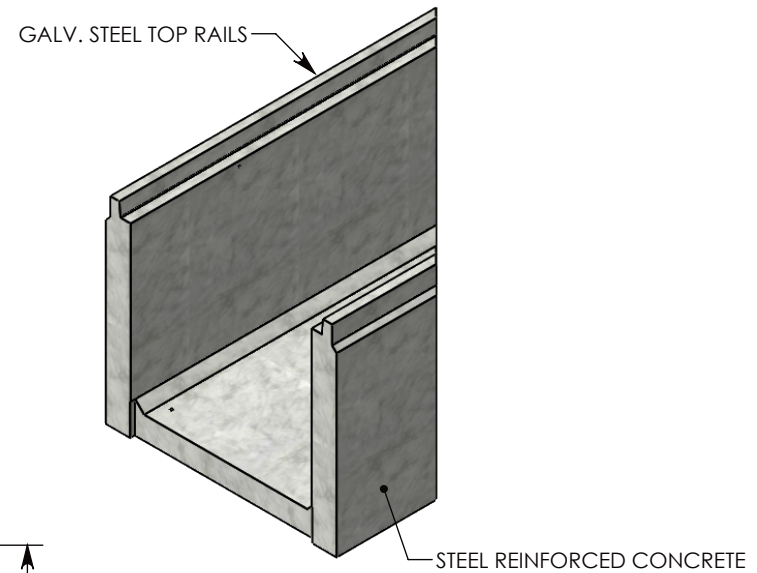
REV. A - SIC - 8/20/2019 - REMOVED NOTE 1; UPDATED ANNOTATIONS

REV. B - SIC - 10/6/2020 - ADDED TOP RAIL REDUCTION FEATURE TO CHANGE TOP RAIL TO 2", WAS 3"; REPLACED RIGHT VIEW WITH SECTION A-A; ADDED DETAIL B; Ø 1/4" CABLE CLIP INSERTS QTY: 1, WAS QTY: 2

REV. C - SIC - 10/19/2020 - CABLE CLIP INSERTS QTY: 2, WAS QTY: 1



DETAIL B
SCALE 1 : 15



SECTION A-A

AASHTO H-20 RATED – 32,000 LB. SINGLE AXLE LOAD

DRAWN BY: ROSS LAGER

CREATED DATE: 1/18/2019 **REVISION LEVEL:** C

SAVED DATE: 10/19/2020 **SAVED BY:** scallahan

WEIGHT: 2567 LBS. **MATERIAL:** CONCRETE



CONCAST
1010 NORTH STAR DRIVE
P.O. BOX 69
ZUMBROTA, MN 55992-0069

DESCRIPTION:
HEAVY TRAFFIC CHANNEL

DIMENSIONS ARE IN INCHES
TOLERANCES:
FRACTIONAL: ± 1/8"
ANGULAR: ± 2°

CONTACT INFORMATION:
EMAIL: INFO@CONCASTINC.COM
PHONE: (507) 732-4095
FAX: (507) 732-4094

SHEET 1 OF 1

PART NUMBER:
804036HT3 45R