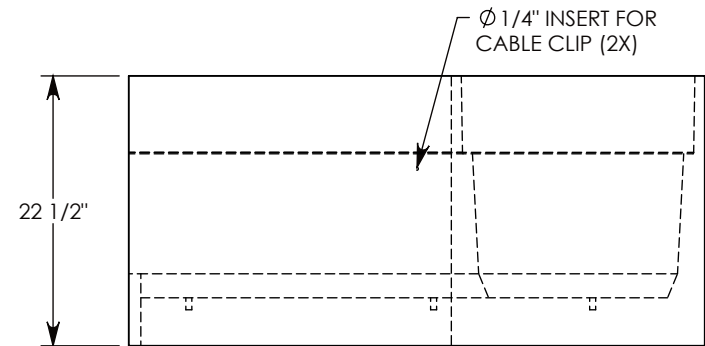
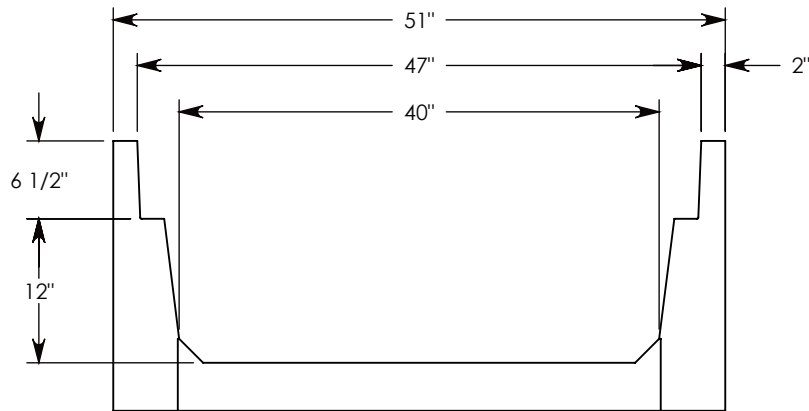
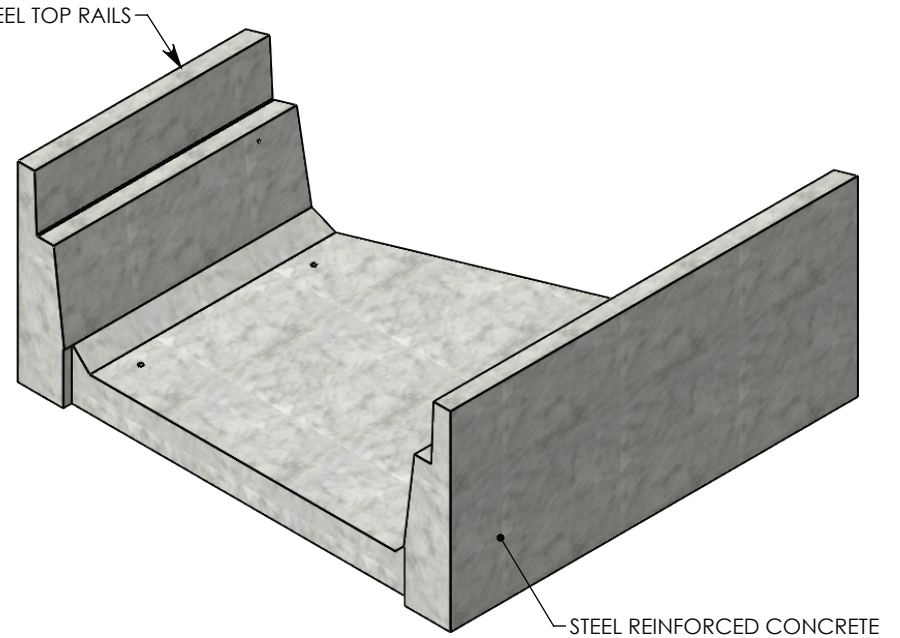
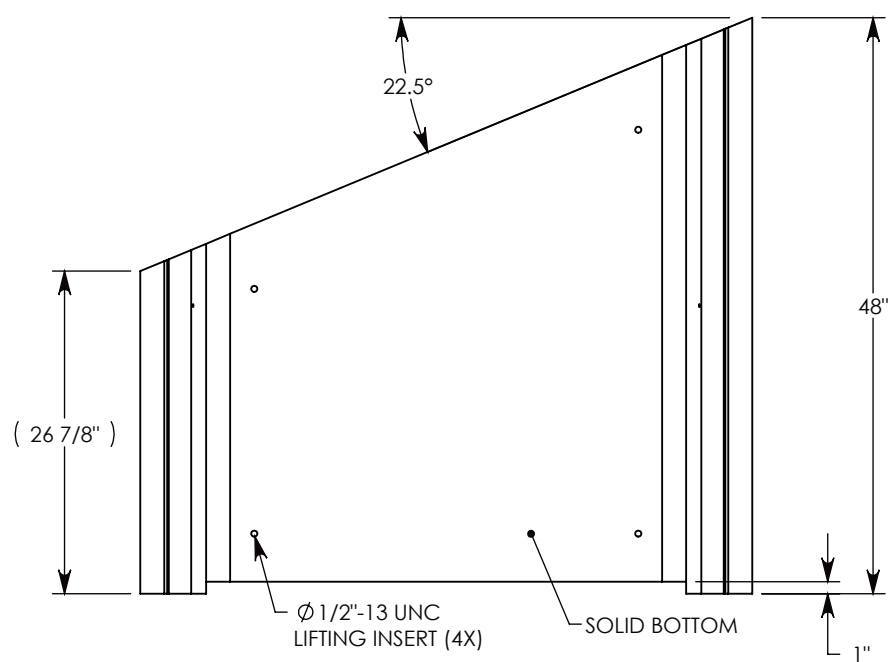


REV. B - TCJ - 1/5/2018 - UPDATED LOAD RATING TO H40

REV. C - SIC - 7/27/2020 - UPDATED ANNOTATIONS; UPDATED WEIGHT RATING TO MAX H-40, WAS H-40; ADDED SOIL BEARING PRESSURES



MAX AASHTO H-40 RATED - 64,000 LB. SINGLE AXLE LOAD  
 DEPENDENT ON TRENCH COVER RATING  
 MINIMUM ALLOWABLE SOIL BEARING PRESSURE - H-40: 3,000 PSF; H-20: 3,000 PSF

<b>DRAWN BY: ROBIN FLINT</b>	
<b>CREATED DATE: 3/21/2011</b>	<b>REVISION LEVEL: C</b>
<b>SAVED DATE: 7/27/2020</b>	<b>SAVED BY: scallahan</b>
<b>WEIGHT: 1075 LBS.</b>	<b>MATERIAL: CONCRETE</b>

1010 NORTH STAR DRIVE  
 P.O. BOX 69  
 ZUMBROTA, MN 55992-0069

<b>DESCRIPTION:</b>		SHEET 1 OF 1
<b>HT CHANNEL; 22.5 DEG. ANGLE</b>		
DIMENSIONS ARE IN INCHES	CONTACT INFORMATION:	
TOLERANCES:	EMAIL: INFO@CONCASTINC.COM	
FRACTIONAL: ± 1/8"	PHONE: (507) 732-4095	
ANGULAR: ± 2°	FAX: (507) 732-4094	
<b>PART NUMBER:</b>		
<b>8040HT 22.5L</b>		