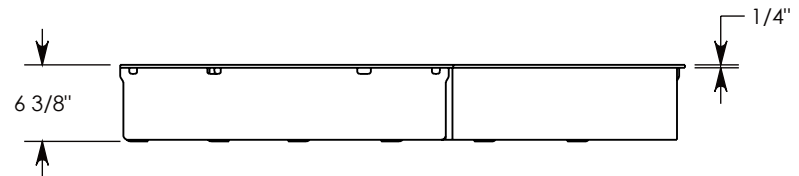
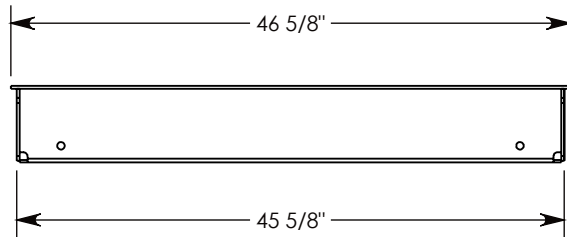
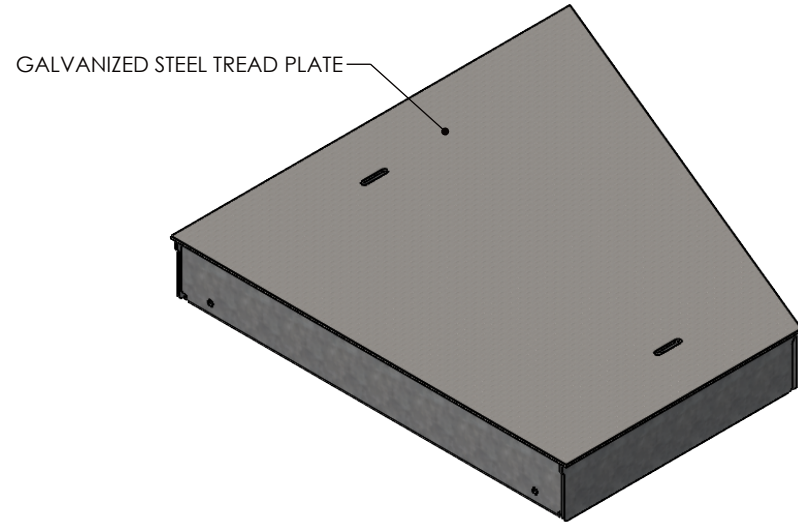
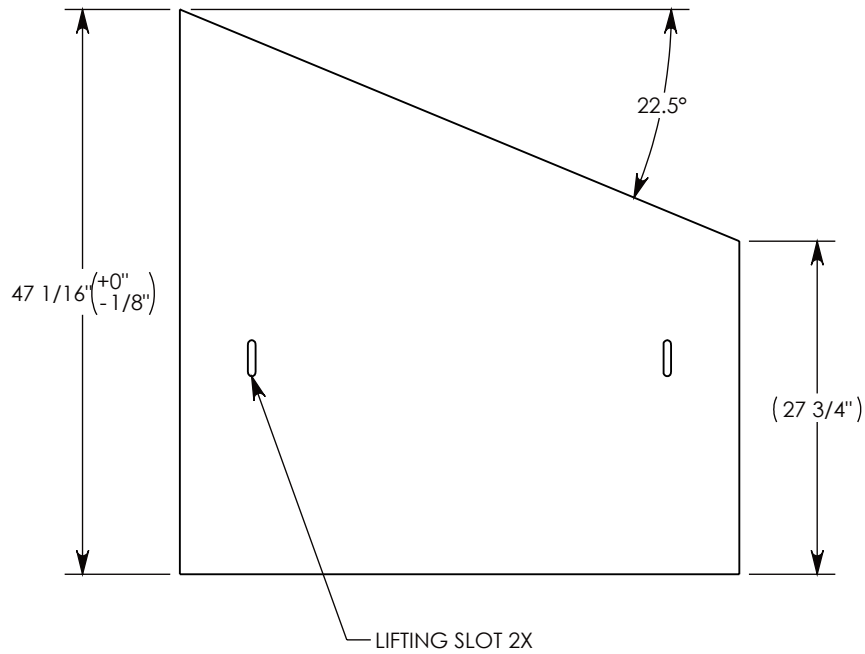


REV. A - TCJ - 1/5/2018 - UPDATED TO H-40 FROM H-20  
 REV. B - RAL - 4/5/2018 - UPDATED END PLATE 5/8"  
 REV. C - TCJ - 4/7/2023 - UPDATED DRAWING FORMAT



NOTE 1: TREAD ON DIAMOND PLATE ADDS 1/8" TO THE OVERALL HEIGHT

AASHTO H-40 RATED - 64,000 LB. SINGLE AXLE LOAD

<b>DRAWN BY: TOM JANSEN</b>	
<b>CREATED DATE: 4/7/2023</b>	<b>REVISION LEVEL: C</b>
<b>SAVED DATE: 4/7/2023</b>	<b>SAVED BY: tjansen</b>
<b>WEIGHT: 312 LBS.</b>	<b>MATERIAL: GALVANIZED STEEL</b>

1010 NORTH STAR DRIVE  
 P.O. BOX 69  
 ZUMBROTA, MN 55992-0069

<b>DESCRIPTION:</b>		SHEET 1 OF 1
<b>HEAVY TRAFFIC GALV. STEEL COVER</b>		
DIMENSIONS ARE IN INCHES	CONTACT INFORMATION:	
TOLERANCES:	EMAIL: INFO@CONCASTINC.COM	
FRACTIONAL: ± 1/8"	PHONE: (507) 732-4095	
ANGULAR: ± 2°	FAX: (507) 732-4094	
<b>PART NUMBER:</b>		
<b>8041HTSG40 22.5R</b>		