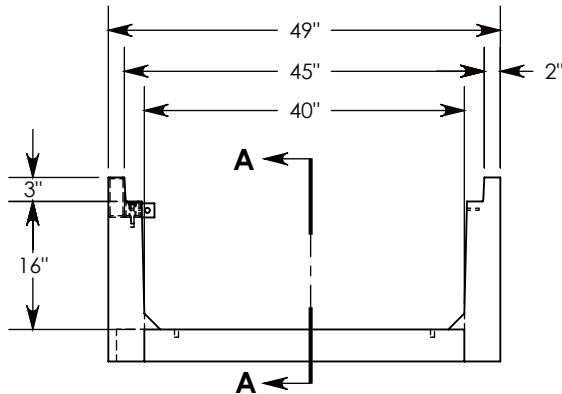
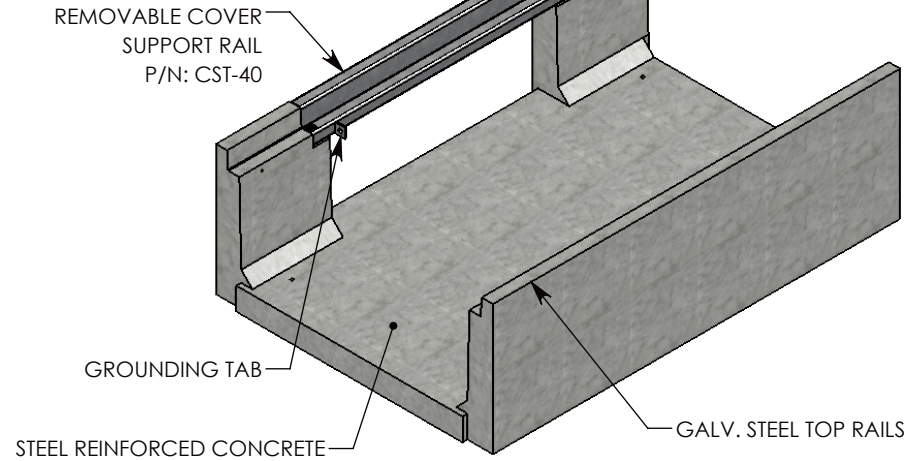
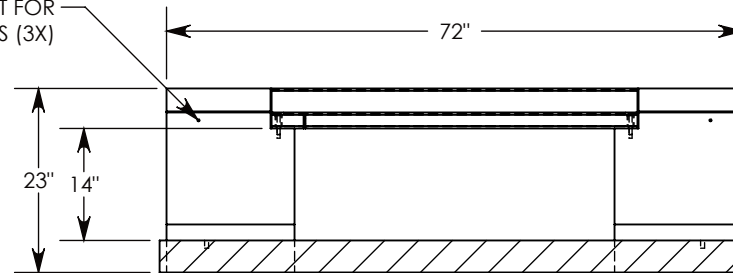


3/8-16 UNC X 2.50" LG HEX HD BOLT, GRADE 8  
 P/N: HHB.38-2.5G8 QTY: 2

3/8" STD WASHER - 1" OD  
 P/N: WSR.38-1 QTY: 2



$\phi 1/4$ " INSERT FOR CABLE CLIPS (3X)



**SECTION A-A**

AASHTO H-20 RATED - 32,000 LB. SINGLE AXLE LOAD

**DRAWN BY:** TOM JANSEN

**CREATED DATE:** 7/14/2008

**REVISION LEVEL:** A

**SAVED DATE:** 1/28/2020

**SAVED BY:** scallahan

**WEIGHT:**  
1845 LBS.

**MATERIAL:**  
NOTED

1010 NORTH STAR DRIVE  
 P.O. BOX 69  
 ZUMBROTA, MN 55992-0069

**DESCRIPTION:**

**HEAVY TRAFFIC UNIVERSAL CHANNEL**

DIMENSIONS ARE IN INCHES  
 TOLERANCES:  
 FRACTIONAL:  $\pm 1/8$ "  
 ANGULAR:  $\pm 2^\circ$

CONTACT INFORMATION:  
 EMAIL: INFO@CONCASTINC.COM  
 PHONE: (507) 732-4095  
 FAX: (507) 732-4094

SHEET 1 OF 1

**PART NUMBER:**

**804216HT3 (0X40)**