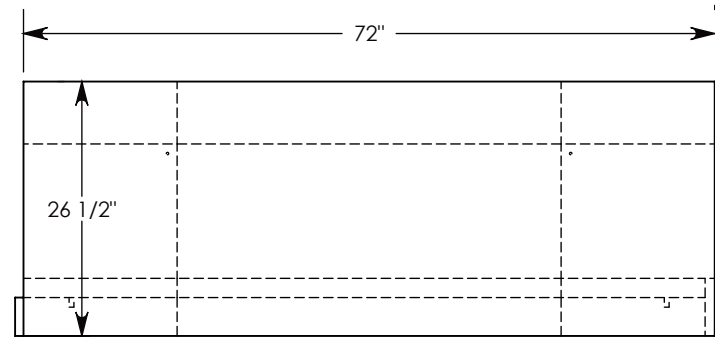
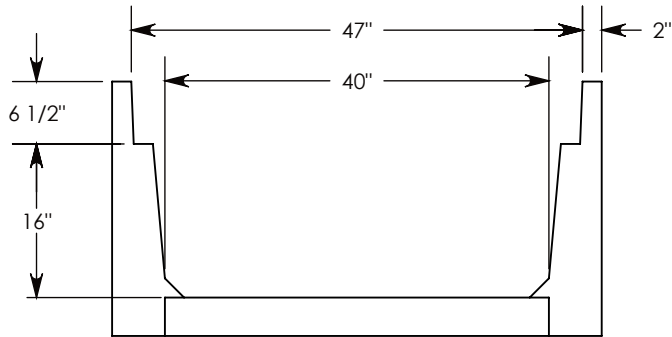
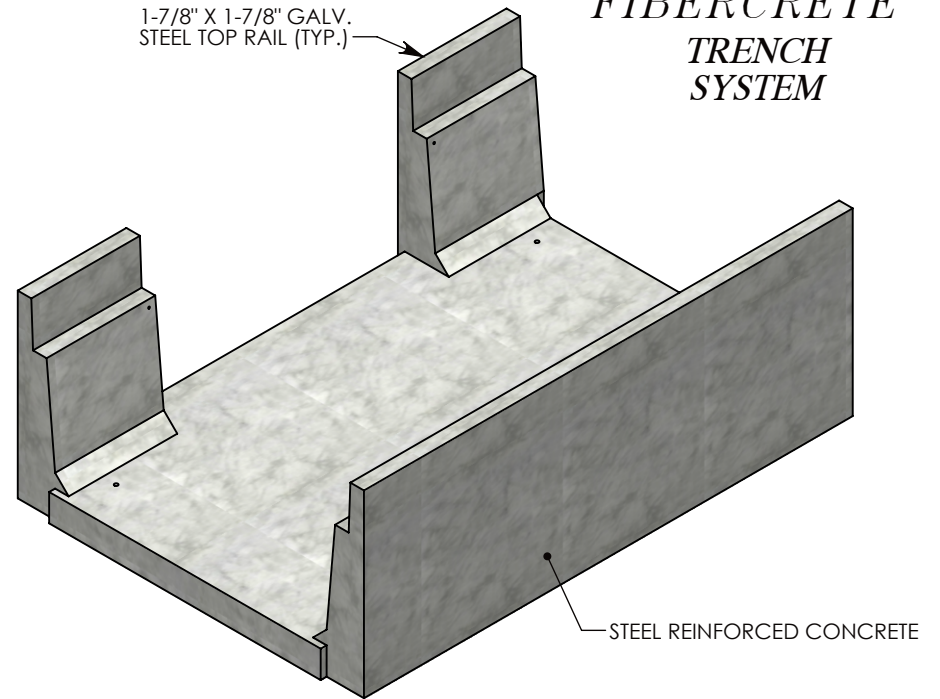
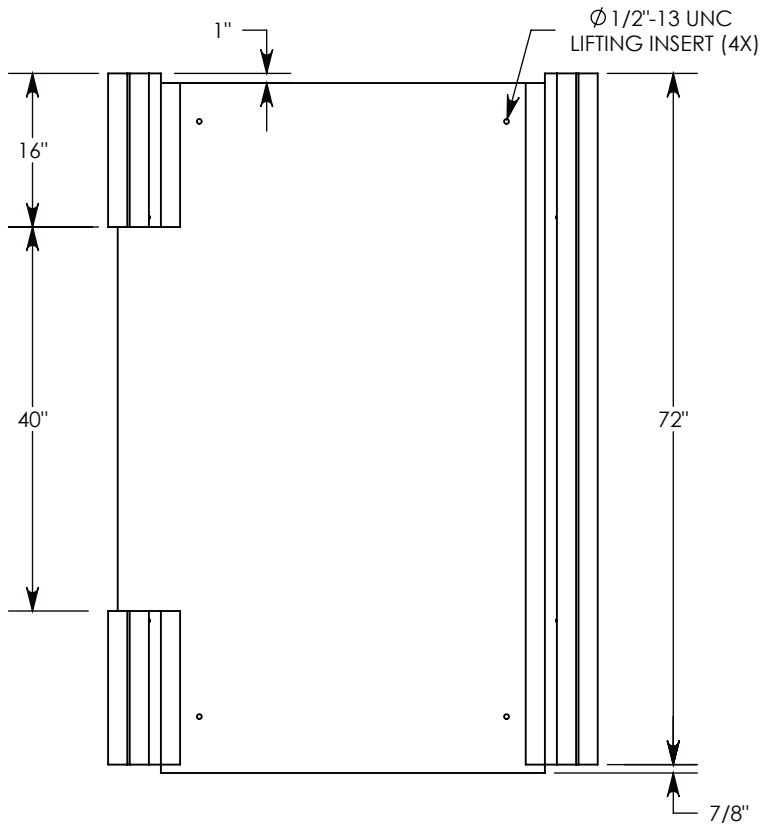


**FIBERCRETE<sup>®</sup>**  
**TRENCH**  
**SYSTEM**



H-20 RATED - 32,000 LB. PER AXLE LOAD

**DRAWN BY: TOM JANSEN**

**DATE: 5/3/2016**

**REVISION LEVEL: 0**

**WEIGHT:**

**1998 LBS.**

**MATERIAL:**

**CONCRETE**



1010 NORTH STAR DRIVE  
 P.O. BOX 69  
 ZUMBROTA, MN 55992-0069

**DESCRIPTION:**

**HEAVY TRAFFIC UNIVERSAL CHANNEL**

DIMENSIONS ARE IN INCHES  
 TOLERANCES:  
 FRACTIONAL:  $\pm 1/8\text{'}$   
 ANGULAR:  $\pm 2^\circ$

CONTACT INFORMATION:  
 EMAIL: INFO@CONCASTINC.COM  
 PHONE: (507) 732-4095  
 FAX: (507) 732-4094

SHEET 1 OF 1

**PART NUMBER:**

**804216HT (0X40)**