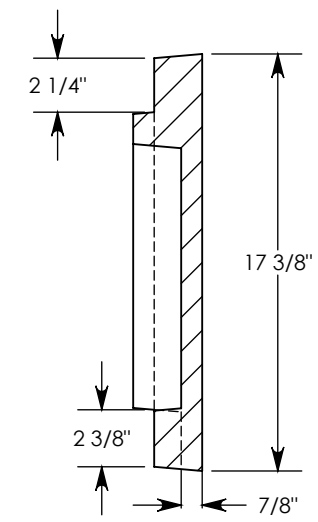
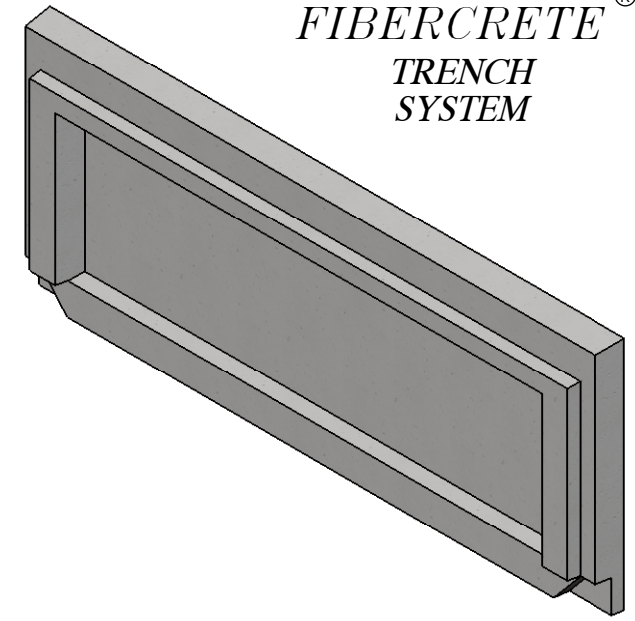
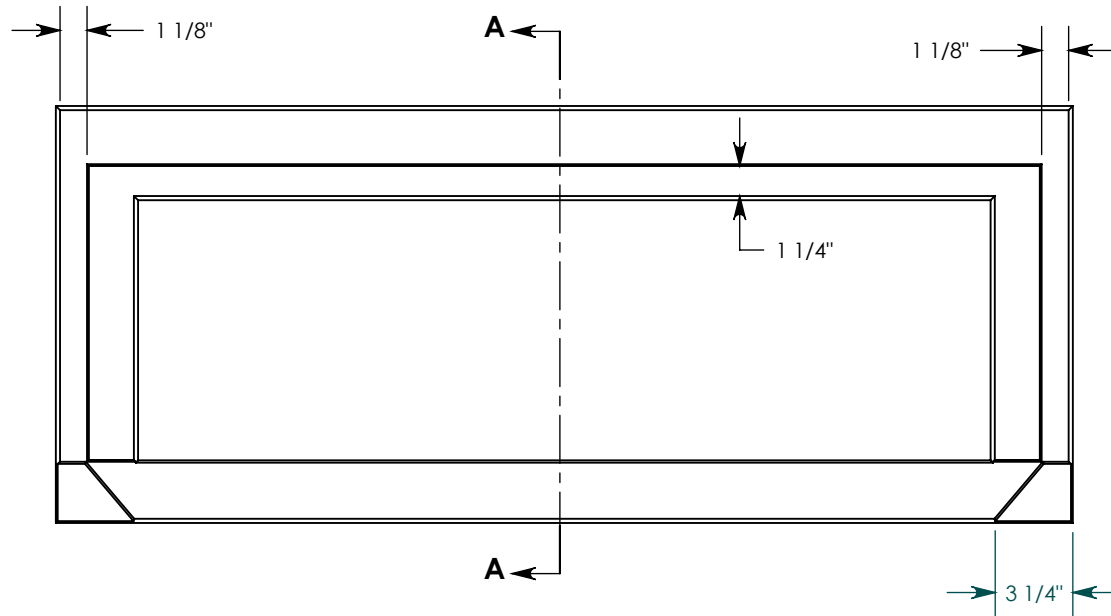
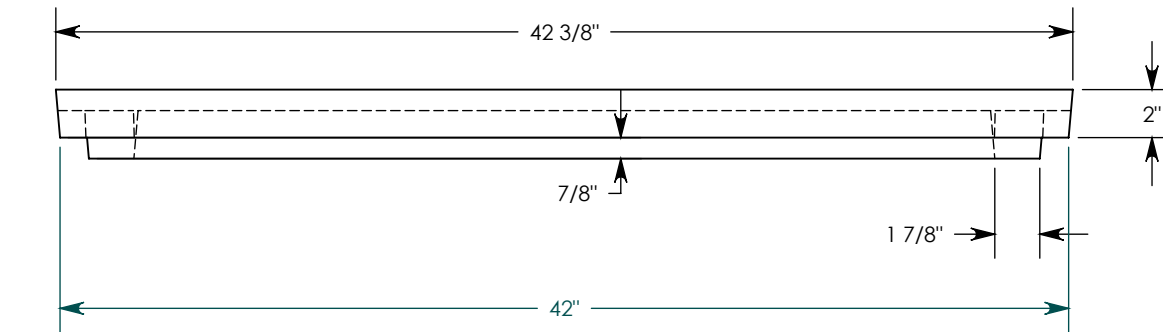


**FIBERCRETE<sup>®</sup>**  
**TRENCH SYSTEM**



**SECTION A-A**

PEDESTRIAN RATED - 200 LB. PER SQ. FOOT

<b>DRAWN BY: ROBIN LEWIS</b>	
<b>DATE: 9/21/2010</b>	<b>REVISION LEVEL: 0</b>
<b>WEIGHT: 90 LBS.</b>	<b>MATERIAL: CAST FIBERCRETE</b>



**CONCAST**  
 1010 NORTH STAR DRIVE  
 P.O. BOX 69  
 ZUMBROTA, MN 55992-0069

<b>DESCRIPTION:</b>		
<b>END PLATE</b>		
DIMENSIONS ARE IN INCHES TOLERANCES: FRACTIONAL: ± 1/8" ANGULAR: ± 2°	CONTACT INFORMATION: EMAIL: INFO@CONCASTINC.COM PHONE: (507) 732-4095 FAX: (507) 732-4094	SHEET 1 OF 1
<b>PART NUMBER: 804316</b>		