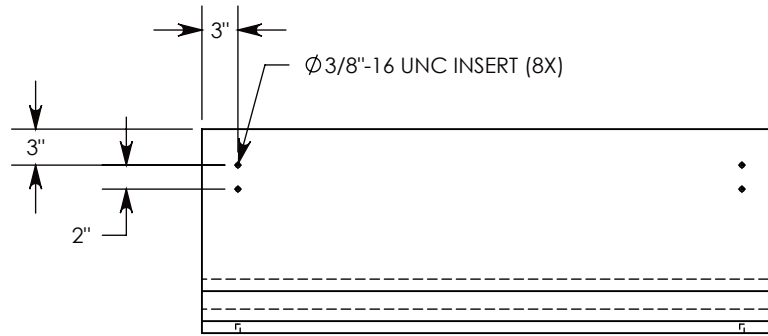
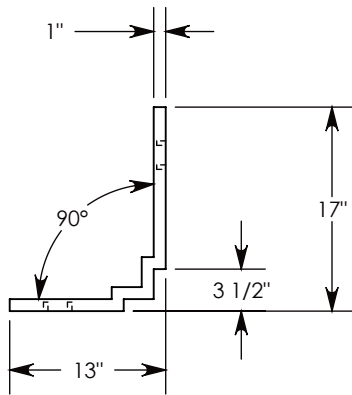
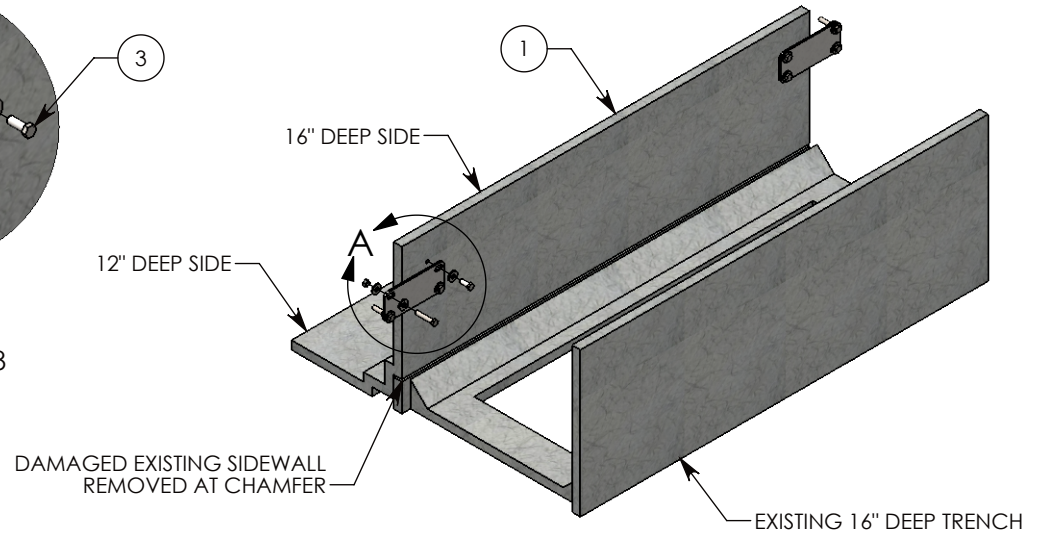
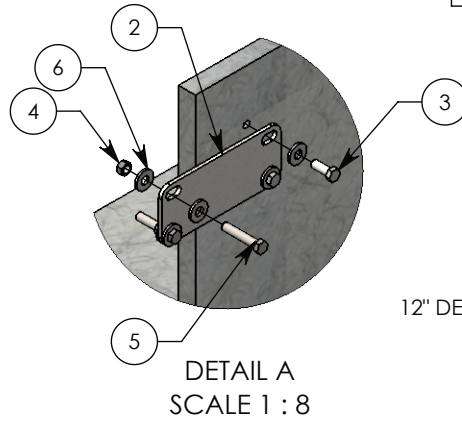
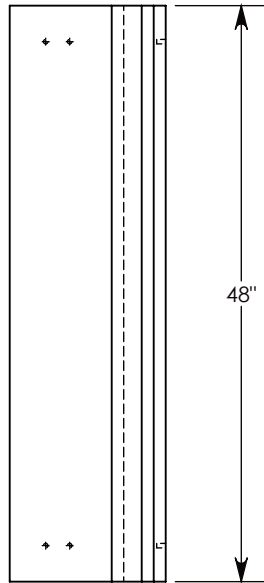


ITEM NO.	PART NUMBER	DESCRIPTION	QTY.
1	80RSW	REPLACEMENT SIDEWALL	1
2	80SW-BP	BOLT PLATE FOR SIDE WALLS	2
3	HHB.38-1	3/8-16 UNC X 1" LG HEX HD BOLT	4
4	HHN.38	3/8-16 UNC HEX HEAD NUT	4
5	TB.38-2	3/8-16 UNC X 2" LG HEX HD TAP BOLT	4
6	WSR.38-1	3/8" STD WASHER - 1" OD	12



PEDESTRIAN RATED - 200 LB. PER SQ. FOOT

**DRAWN BY: ROBIN FLINT**

**DATE: 5/23/2019**

**REVISION LEVEL: A**

**WEIGHT:**

**105 LBS.**

**MATERIAL:**

**NOTED**



**CONCAST**  
 1010 NORTH STAR DRIVE  
 P.O. BOX 69  
 ZUMBROTA, MN 55992-0069

**DESCRIPTION:**

**REPLACEMENT SIDEWALL**

DIMENSIONS ARE IN INCHES  
 TOLERANCES:  
 FRACTIONAL: ± 1/8"  
 ANGULAR: ± 2°

CONTACT INFORMATION:  
 EMAIL: INFO@CONCASTINC.COM  
 PHONE: (507) 732-4095  
 FAX: (507) 732-4094

SHEET 1 OF 1

**PART NUMBER:**

**80SW**