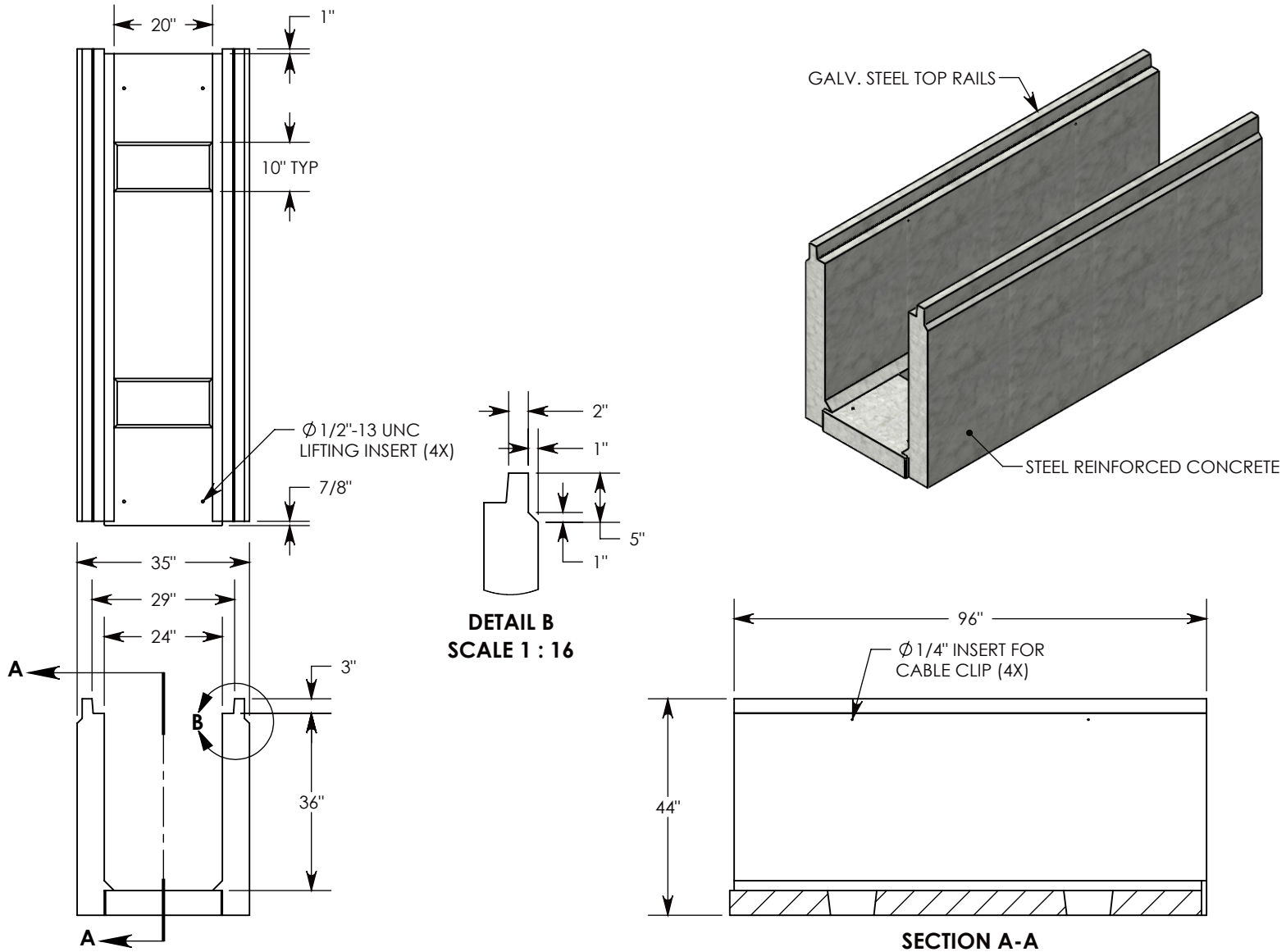


REV. A - JCG - 11/29/2018 - CHANGED TOP RAIL TO 3"

REV. B - SIC - 10/6/2020 - ADDED TOP RAIL REDUCTION FEATURE TO CHANGE TOP RAIL TO 2", WAS 3"; REPLACED RIGHT VIEW WITH SECTION A-A; ADDED DETAIL B



**NOTE 1:** FOR NON-STANDARD LENGTHS, THE CHANNEL WILL BE SOLID BOTTOM AND DESIGNATED WITH ITS CORRESPONDING LENGTH MEASUREMENT. IE: 802436HT3 32"

<b>DRAWN BY: JESSE GUTTING</b>		 1010 NORTH STAR DRIVE P.O. BOX 69 ZUMBROTA, MN 55992-0069	<b>DESCRIPTION:</b>	
<b>CREATED DATE:</b> 4/19/2018	<b>REVISION LEVEL:</b> B		<b>HEAVY TRAFFIC CHANNEL</b>	
<b>SAVED DATE:</b> 10/6/2020	<b>SAVED BY:</b> scallahan	DIMENSIONS ARE IN INCHES TOLERANCES: FRACTIONAL: ± 1/8" ANGULAR: ± 2°		CONTACT INFORMATION: EMAIL: INFO@CONCASTINC.COM PHONE: (507) 732-4095 FAX: (507) 732-4094
<b>WEIGHT:</b> 4447 LBS.	<b>MATERIAL:</b> CONCRETE	<b>PART NUMBER:</b> 882436HT3		SHEET 1 OF 1