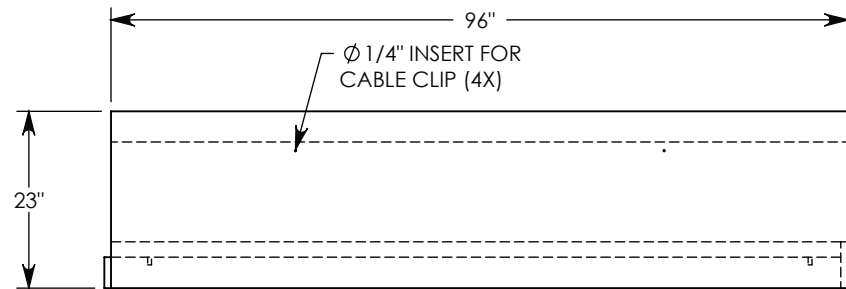
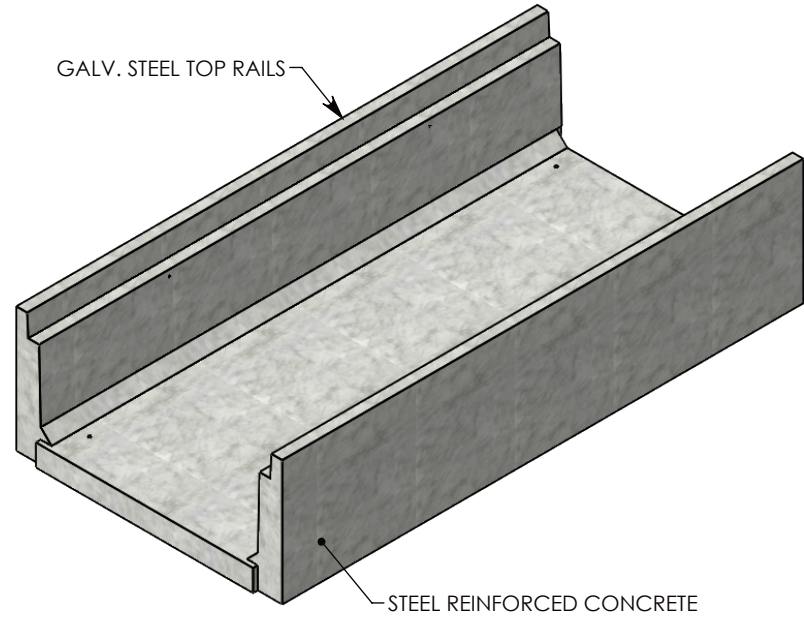
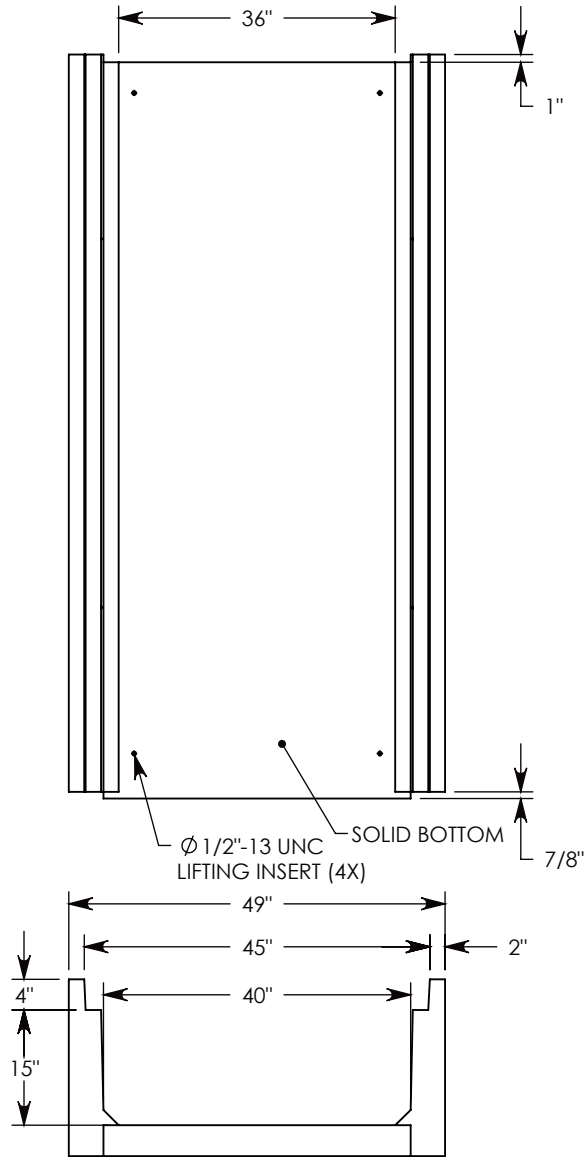


REV. B - SIC - 2/3/2020 - UPDATED CABLE CLIP QUANTITY TO 4, WAS 2
 REV. C - SIC - 7/17/2020 - UPDATED WEIGHT RATING NOTE; ADDED SOIL BEARING PRESSURES



NOTE 1: FOR NON-STANDARD LENGTHS THE CHANNEL WILL BE SOLID BOTTOM AND DESIGNATED WITH ITS CORRESPONDING LENGTH MEASUREMENT. IE: 804016HT4 72"

MAX AASHTO H-40 RATED - 64,000 LB. SINGLE AXLE LOAD
 DEPENDENT ON TRENCH COVER RATING
 MINIMUM ALLOWABLE SOIL BEARING PRESSURE - H-40: 3,000 PSF; H-20: 3,000 PSF

| | |
|--------------------------------|----------------------------|
| DRAWN BY: ROBIN FLINT | |
| CREATED DATE: 3/21/2011 | REVISION LEVEL: C |
| SAVED DATE: 7/17/2020 | SAVED BY: scallahan |
| WEIGHT: 2733 LBS. | MATERIAL: CONCRETE |



CONCAST
 1010 NORTH STAR DRIVE
 P.O. BOX 69
 ZUMBROTA, MN 55992-0069

| | | |
|--|--|--------------|
| DESCRIPTION: HEAVY TRAFFIC CHANNEL | | SHEET 1 OF 1 |
| DIMENSIONS ARE IN INCHES TOLERANCES: FRACTIONAL: ± 1/8" ANGULAR: ± 2° | CONTACT INFORMATION: EMAIL: INFO@CONCASTINC.COM PHONE: (507) 732-4095 FAX: (507) 732-4094 | |
| PART NUMBER: 884016HT4SB | | |